



Jednočinné kyvné pohony řady ATM jsou určeny zejména pro ovládání klapek, kohoutů a ventilů, u kterých je nutné zajistit vrácení do výchozího stavu při přerušení přívodu stlačeného vzduchu. Kyvný pohyb je zajištěn dvojicí ozubených hřebů s písty. Krouticí moment není v rozsahu celého kyvného pohybu konstantní, díky proměnné síle pružin. Přivedením stlačeného vzduchu se výstupní hřídel pohony otočí, odvětráním vrátí pružiny hřídel zpět do výchozího stavu.

| | |
|-------------------------|--------------------------|
| Pracovní tlak | 0,6 MPa |
| Minimální tlak | 0,2 MPa |
| Maximální tlak | 0,8 MPa |
| Pracovní teplota | -20°C až +80°C * |
| Regulace koncové polohy | ±4° |
| Pracovní médium | upravený stlačený vzduch |

*) hodnoty se vztahují pro teplotní rozsah B

| Průměr pístu [mm] | 52 | 63 | 75 | 83 | 92 | 105 | 125 | 140 | 160 | 190 | 210 | 240 | 270 | 300 | 350 | 400 |
|------------------------------|---|-------|-------|-------|-------|-------|-------|-------|-------|-------|-------|-------|-------|-------|-------|-------|
| Závitové přípoje | G1/4" | G1/4" | G1/4" | G1/4" | G1/4" | G1/4" | G1/4" | G1/4" | G1/4" | G1/4" | G1/4" | G1/4" | G1/2" | G1/2" | G1/2" | G1/2" |
| Připojení rozvaděče | NAMUR VDI/VDE 3845 | | | | | | | | | | | | | | | |
| Obrazec připojení příruby 1 | F03 | F05 | F05 | F05 | F05 | F07 | F07 | F10 | F10 | - | - | - | - | - | F16 | F16 |
| Obrazec připojení příruby 2 | F05 | F07 | F07 | F07 | F07 | F10 | F10 | F12 | F12 | F14 | F14 | F16 | F16 | F16 | F25 | F25 |
| Připojení k armatuře | ISO 5211 | | | | | | | | | | | | | | | |
| Signalizace polohy | optická s možností připojení snímače, pozicionéru nebo senzorboxu | | | | | | | | | | | | | | | |
| Připojení snímače polohy | NAMUR VDI/VDE 3845 | | | | | | | | | | | | | | | |
| Čas otevření [s] při 0,8 MPa | 0,4 | 0,5 | 0,5 | 0,6 | 0,7 | 0,9 | 1,3 | 1,6 | 2 | 3 | 4 | 4,5 | 5 | | | |
| Čas zavření [s] při 0,8 MPa | 0,4 | 0,5 | 0,6 | 0,6 | 0,8 | 0,9 | 1,4 | 1,8 | 2,3 | 3,3 | 4,4 | 4,9 | 5,7 | | | |
| Hmotnost [kg] | 1,48 | 2,23 | 3,15 | 3,63 | 5,2 | 7,8 | 11,6 | 15,6 | 24,1 | 36 | 55 | 80,9 | 117 | | | |
| Hmotnost jedné pružiny [kg] | 0,01 | 0,02 | 0,03 | 0,05 | 0,06 | 0,10 | 0,16 | 0,23 | 0,39 | 0,45 | 0,80 | 1,33 | 2,00 | | | |

Objednací kódy

ZG-ATM 125 X 90 B AM D8

| Průměr pístu | | Průměr pístu | | Úhel kyvu | | Teplotní rozsah | | Počet pružin | |
|--------------|--------|--------------|--------|-----------|-----------|-----------------|-----------------|--------------|-------------|
| 052 | 52 mm | 160 | 160 mm | 90 | úhel 90° | B | -20°C až +80°C | 5* | 2+3 pružiny |
| 063 | 63 mm | 190 | 190 mm | 120 | úhel 120° | D | -40°C až +80°C | 6* | 3+3 pružiny |
| 075 | 75 mm | 210 | 210 mm | 135 | úhel 135° | G | -15°C až +150°C | 7 | 3+4 pružiny |
| 083 | 83 mm | 240 | 240 mm | 180 | úhel 180° | | | 8 | 4+4 pružiny |
| 092 | 92 mm | 270 | 270 mm | | | | | 9 | 4+5 pružin |
| 105 | 105 mm | 300 | 300 mm | | | | | 10 | 5+5 pružin |
| 125 | 125 mm | 350 | 350 mm | | | | | 11 | 5+6 pružin |
| 140 | 140 mm | 400 | 400 mm | | | | | 12 | 6+6 pružin |
| | | | | | | | | 13** | 6+7 pružin |
| | | | | | | | | 14** | 7+7 pružin |
| | | | | | | | | 15** | 7+8 pružin |
| | | | | | | | | 16** | 8+8 pružin |



Směr kyvu je standardně vpravo (ve směru hodinových ručiček). Pokud požadujete opačný směr kyvu, kontaktujte prosíme naše technické oddělení.



Snímače polohy najdete na straně 2-89



Upozornění

Krouticí moment způsobený pohonem nesmí být větší, než maximální dovolený krouticí moment uvedený v normě ISO 5211 pro konkrétní velikost upevňovací příruby.

*) Počty pružin 5,6 neplatí pro Ø pístu 400 mm

**) Počty pružin 13 až 16 platí pouze pro Ø pístu 400 mm

Provedení / materiály

- těleso: tvrdě eloxovaná extrudovaná slitina Al, honovaný otvor
- písty: Al odlitek nebo ocelový odlitek
- pastorek a vačka: ocel
- víka: Al odlitek
- těsnění: NBR, nebo FPM nebo silikon
- spojovací materiál: nerezavějící ocel
- ukazatel polohy: plast
- pružiny: pružinová ocel

Určení velikosti pohonu

Doporučený bezpečnostní faktor pro jednočinné kyvné pohony je za normálních podmínek 30 až 50%. Příklad určení velikosti pohonu: Potřebný krouticí moment armatury je 80 Nm, krouticí moment zvětšený bezpečnostním faktorem je $80 + 30\% \text{ z } 80 = 104 \text{ Nm}$. Při vstupním tlaku 0,5 MPa je tedy vhodné zvolit pohon ZG-ATM140 D7 se 7 pružinami. Při pohybu vzduchem má pohon v poloze 0° moment 308 Nm, v poloze 90° má moment 247 Nm. Při návratu pružinami má pohon v poloze 90° moment 181 Nm a v poloze 0° moment 120 Nm.

Technické parametry

Krouticí moment [Nm] v závislosti na pracovním tlaku

| Ø pístu [mm] | Počet pružin | Vstupní tlak [MPa] a poloha | | | | | | | | | | | | | | Návrat pružinami | |
|--------------|--------------|-----------------------------|------|------|------|------|------|------|------|------|------|-------|-------|-------|-------|------------------|------|
| | | 0,25 | | 0,3 | | 0,4 | | 0,5 | | 0,6 | | 0,7 | | 0,8 | | | |
| | | 0° | 90° | 0° | 90° | 0° | 90° | 0° | 90° | 0° | 90° | 0° | 90° | 0° | 90° | | |
| 52 | 5 | 5,7 | 3,6 | 7,6 | 5,7 | | | | | | | | | | | 6,2 | 4,3 |
| | 6 | 4,8 | 2,5 | 6,9 | 4,5 | 10,9 | 8,5 | | | | | | | | | 7,4 | 5,0 |
| | 7 | 3,9 | 1,3 | 6,1 | 3,3 | 9,8 | 7,3 | 14,0 | 10,4 | | | | | | | 8,6 | 5,9 |
| | 8 | | | 5,2 | 2,0 | 9,2 | 6,0 | 13,2 | 9,1 | 17,2 | 14,1 | | | | | 9,9 | 6,7 |
| | 9 | | | 4,3 | 0,8 | 8,3 | 4,8 | 12,3 | 7,9 | 16,3 | 12,8 | 20,3 | 16,8 | | | 11,1 | 7,6 |
| | 10 | | | | | 7,4 | 3,6 | 11,5 | 6,7 | 15,5 | 11,6 | 19,5 | 15,6 | | | 12,4 | 8,5 |
| | 11 | | | | | 6,6 | 2,3 | 10,6 | 5,4 | 14,6 | 10,4 | 18,6 | 14,3 | 22,6 | 18,3 | 13,6 | 9,3 |
| | 12 | | | | | | | 9,7 | 4,2 | 13,8 | 9,1 | 17,8 | 12,2 | 21,8 | 17,1 | 14,8 | 10,2 |
| 63 | 5 | 11,4 | 7,7 | 15,0 | 11,4 | 22,3 | 14,9 | | | | | | | | | 10,4 | 6,8 |
| | 6 | 10,1 | 5,7 | 13,6 | 9,3 | 20,9 | 16,6 | 28,3 | 23,9 | | | | | | | 12,5 | 8,2 |
| | 7 | 8,6 | 3,6 | 12,5 | 7,2 | 19,3 | 14,5 | 26,8 | 21,9 | | | | | | | 14,6 | 9,6 |
| | 8 | | | 10,9 | 5,1 | 18,2 | 12,4 | 25,5 | 19,8 | 32,8 | 27,0 | 40,1 | 34,3 | | | 16,7 | 10,9 |
| | 9 | | | | | 16,8 | 10,4 | 24,1 | 17,7 | 31,4 | 24,9 | 38,7 | 32,2 | | | 18,8 | 12,3 |
| | 10 | | | | | 14,0 | 8,2 | 22,8 | 15,6 | 30,0 | 22,8 | 37,3 | 30,1 | 44,7 | 37,4 | 20,9 | 13,7 |
| | 11 | | | | | | | 21,5 | 13,5 | 28,7 | 20,7 | 36,0 | 28,0 | 44,3 | 35,3 | 22,9 | 15,0 |
| | 12 | | | | | | | 20,0 | 11,4 | 27,3 | 18,6 | 34,6 | 25,9 | 41,9 | 33,3 | 25,0 | 16,4 |
| 75 | 5 | 14,5 | 10,6 | 19,4 | 15,5 | 29,5 | 25,7 | | | | | | | | | 14,5 | 10,5 |
| | 6 | 12,4 | 7,6 | 17,3 | 12,6 | 27,4 | 22,7 | 37,5 | 32,8 | | | | | | | 17,4 | 12,7 |
| | 7 | 10,4 | 4,8 | 15,2 | 9,7 | 25,3 | 20,0 | 35,4 | 30,0 | | | | | | | 20,3 | 14,8 |
| | 8 | | | 13,1 | 6,8 | 23,1 | 17,0 | 33,3 | 27,0 | 43,2 | 37,0 | 53,3 | 47,0 | | | 23,2 | 16,9 |
| | 9 | | | | | 21,0 | 14,1 | 31,2 | 24,1 | 41,1 | 34,1 | 51,2 | 44,2 | | | 26,0 | 19,0 |
| | 10 | | | | | 19,0 | 11,1 | 28,9 | 21,2 | 39,0 | 31,2 | 49,0 | 41,2 | 59,0 | 51,0 | 29,0 | 21,0 |
| | 11 | | | | | | | 27,0 | 18,3 | 37,0 | 28,3 | 47,0 | 38,4 | 57,0 | 48,5 | 32,0 | 23,2 |
| | 12 | | | | | | | 25,0 | 15,4 | 34,9 | 25,4 | 45,0 | 35,4 | 55,0 | 45,4 | 34,8 | 25,3 |
| 83 | 5 | 23,3 | 16,0 | 31,0 | 24,0 | 46,8 | 39,7 | | | | | | | | | 23,0 | 15,8 |
| | 6 | 20,0 | 11,5 | 28,0 | 19,3 | 43,7 | 35,0 | 59,5 | 51,0 | | | | | | | 27,6 | 19,0 |
| | 7 | 17,0 | 7,0 | 25,0 | 15,0 | 40,5 | 30,5 | 56,2 | 46,2 | | | | | | | 32,2 | 22,0 |
| | 8 | | | 22,0 | 10,0 | 37,5 | 25,8 | 53,0 | 41,5 | 69,0 | 57,2 | 84,5 | 73,0 | | | 36,8 | 25,3 |
| | 9 | | | | | 34,2 | 2,3 | 50,0 | 37,0 | 66,0 | 52,6 | 81,2 | 68,3 | | | 41,4 | 28,5 |
| | 10 | | | | | 31,0 | 16,6 | 46,7 | 32,3 | 62,5 | 48,0 | 78,0 | 63,7 | 93,8 | 79,3 | 46,0 | 31,6 |
| | 11 | | | | | | | 43,6 | 27,7 | 59,3 | 43,4 | 75,0 | 59,0 | 91,0 | 74,8 | 50,6 | 34,8 |
| | 12 | | | | | | | 40,5 | 23,2 | 56,0 | 39,0 | 72,0 | 54,5 | 87,4 | 70,2 | 55,2 | 38,0 |
| 92 | 5 | 33,0 | 22,0 | 44,2 | 33,2 | 66,8 | 55,9 | | | | | | | | | 34,4 | 23,3 |
| | 6 | 28,4 | 15,2 | 39,6 | 26,4 | 62,2 | 49,0 | 84,8 | 71,6 | | | | | | | 41,2 | 28,0 |
| | 7 | 23,8 | 8,2 | 34,9 | 19,4 | 57,5 | 42,1 | 80,2 | 64,7 | | | | | | | 48,0 | 32,7 |
| | 8 | | | 31,3 | 12,6 | 52,9 | 35,2 | 75,5 | 57,9 | 98,0 | 80,5 | 120,7 | 103,0 | | | 55,0 | 37,3 |
| | 9 | | | | | 48,2 | 28,4 | 71,0 | 51,0 | 93,5 | 73,6 | 116,0 | 96,0 | | | 61,9 | 42,0 |
| | 10 | | | | | 43,6 | 21,5 | 66,2 | 44,0 | 89,0 | 66,7 | 111,3 | 89,2 | 134,0 | 112,0 | 68,7 | 46,7 |
| | 11 | | | | | | | 61,5 | 37,2 | 84,0 | 60,0 | 106,6 | 82,4 | 129,2 | 105,0 | 75,6 | 51,4 |
| | 12 | | | | | | | 56,8 | 30,4 | 79,5 | 53,0 | 101,9 | 75,5 | 124,5 | 98,0 | 82,5 | 56,0 |

Krouticí moment [Nm] v závislosti na pracovním tlaku (pokračování)

| Ø pístu [mm] | Počet pružin | Vstupní tlak [MPa] a poloha | | | | | | | | | | | | | | Návrat pružinami | |
|--------------------|-----------------|-----------------------------|-------|-------|-------|-------|-------|-------|-------|-------|-------|-------|-------|-------|-------|------------------|-------|
| | | 0,25 | | 0,3 | | 0,4 | | 0,5 | | 0,6 | | 0,7 | | 0,8 | | | |
| | | 0° | 90° | 0° | 90° | 0° | 90° | 0° | 90° | 0° | 90° | 0° | 90° | 0° | 90° | 90° | 0° |
| 105 | 5 | 51,0 | 33,4 | 67,5 | 50,0 | 100,6 | 83,0 | | | | | | | | | 49,2 | 31,6 |
| | 6 | 45,0 | 23,5 | 61,0 | 40,0 | 94,2 | 73,2 | 127,3 | 106,2 | | | | | | | 59,0 | 38,0 |
| | 7 | 38,4 | 13,7 | 55,0 | 30,0 | 88,0 | 63,4 | 121,0 | 96,4 | | | | | | | 69,0 | 44,3 |
| | 8 | | | 48,5 | 20,5 | 81,6 | 53,5 | 115,0 | 86,5 | 147,7 | 119,6 | 180,8 | 152,7 | | | 78,7 | 50,6 |
| | 9 | | | | | 75,3 | 43,7 | 109,0 | 76,8 | 141,5 | 110,0 | 174,5 | 142,9 | | | 88,6 | 56,9 |
| | 10 | | | | | 69,0 | 33,4 | 102,0 | 66,5 | 135,0 | 100,0 | 168,2 | 132,6 | 201,0 | 165,7 | 98,4 | 63,3 |
| | 11 | | | | | | | 96,0 | 57,0 | 128,7 | 90,0 | 161,8 | 123,0 | 195,0 | 156,0 | 108,3 | 69,3 |
| | 12 | | | | | | | 89,5 | 47,5 | 122,5 | 90,6 | 155,5 | 113,6 | 189,0 | 146,7 | 118,0 | 76,0 |
| 125 | 5 | 73,0 | 47,0 | 98,0 | 72,0 | 148,0 | 122,0 | | | | | | | | | 79,0 | 52,0 |
| | 6 | 63,0 | 31,0 | 88,0 | 56,0 | 138,0 | 107,0 | 188,0 | 157,0 | | | | | | | 94,0 | 63,0 |
| | 7 | 52,0 | 15,0 | 77,0 | 40,0 | 127,0 | 90,0 | 178,0 | 141,0 | | | | | | | 110,0 | 73,0 |
| | 8 | | | 67,0 | 25,0 | 117,0 | 75,0 | 167,0 | 125,0 | 217,0 | 176,0 | 268,0 | 226,0 | | | 125,0 | 84,0 |
| | 9 | | | | | 107,0 | 59,0 | 157,0 | 109,0 | 207,0 | 159,0 | 257,0 | 210,0 | | | 141,0 | 94,0 |
| | 10 | | | | | 96,0 | 44,0 | 146,0 | 94,0 | 196,0 | 144,0 | 247,0 | 194,0 | 297,0 | 245,0 | 157,0 | 105,0 |
| | 11 | | | | | | | 136,0 | 78,0 | 186,0 | 128,0 | 236,0 | 178,0 | 286,0 | 228,0 | 173,0 | 115,0 |
| | 12 | | | | | | | 125,0 | 63,0 | 176,0 | 113,0 | 226,0 | 163,0 | 276,0 | 213,0 | 188,0 | 125,0 |
| 140 | 5 | 128,0 | 85,0 | 171,0 | 127,0 | 256,0 | 213,0 | | | | | | | | | 129,0 | 86,0 |
| | 6 | 111,0 | 59,0 | 154,0 | 102,0 | 239,0 | 187,0 | 325,0 | 273,0 | | | | | | | 155,0 | 103,0 |
| | 7 | 94,0 | 33,0 | 137,0 | 76,0 | 222,0 | 162,0 | 308,0 | 247,0 | | | | | | | 181,0 | 120,0 |
| | 8 | | | 120,0 | 50,0 | 205,0 | 136,0 | 291,0 | 221,0 | 376,0 | 307,0 | 462,0 | 392,0 | | | 206,0 | 137,0 |
| | 9 | | | | | 187,0 | 110,0 | 273,0 | 196,0 | 358,0 | 281,0 | 444,0 | 367,0 | | | 232,0 | 155,0 |
| | 10 | | | | | 170,0 | 84,0 | 256,0 | 169,0 | 341,0 | 255,0 | 427,0 | 340,0 | 512,0 | 426,0 | 258,0 | 172,0 |
| | 11 | | | | | | | 238,0 | 143,0 | 324,0 | 229,0 | 409,0 | 314,0 | 495,0 | 400,0 | 284,0 | 189,0 |
| | 12 | | | | | | | 221,0 | 118,0 | 307,0 | 203,0 | 392,0 | 289,0 | 478,0 | 374,0 | 310,0 | 206,0 |
| 160 | 5 | 193,0 | 124,0 | 259,0 | 191,0 | 392,0 | 324,0 | | | | | | | | | 208,0 | 140,0 |
| | 6 | 165,0 | 83,0 | 232,0 | 149,0 | 365,0 | 282,0 | 498,0 | 415,0 | | | | | | | 250,0 | 168,0 |
| | 7 | 137,0 | 41,0 | 203,0 | 107,0 | 336,0 | 240,0 | 469,0 | 373,0 | | | | | | | 292,0 | 196,0 |
| | 8 | | | 176,0 | 66,0 | 309,0 | 199,0 | 442,0 | 337,0 | 575,0 | 465,0 | 708,0 | 598,0 | | | 333,0 | 223,0 |
| | 9 | | | | | 280,0 | 157,0 | 413,0 | 290,0 | 546,0 | 423,0 | 679,0 | 556,0 | | | 375,0 | 251,0 |
| | 10 | | | | | 253,0 | 115,0 | 386,0 | 248,0 | 519,0 | 381,0 | 652,0 | 514,0 | 785,0 | 647,0 | 417,0 | 279,0 |
| | 11 | | | | | | | 358,0 | 207,0 | 491,0 | 340,0 | 624,0 | 473,0 | 757,0 | 606,0 | 458,0 | 307,0 |
| | 12 | | | | | | | 330,0 | 165,0 | 463,0 | 298,0 | 596,0 | 431,0 | 729,0 | 564,0 | 500,0 | 335,0 |
| 190 | 5 | 332 | 222 | 438 | 329 | 651 | 542 | | | | | | | | | 309 | 200 |
| | 6 | 292 | 161 | 398 | 267 | 611 | 480 | 824 | 693 | | | | | | | 371 | 240 |
| | 7 | 252 | 99 | 358 | 205 | 571 | 418 | 784 | 631 | | | | | | | 433 | 280 |
| | 8 | | | 318 | 143 | 531 | 356 | 744 | 569 | 957 | 782 | 1169 | 995 | | | 495 | 320 |
| | 9 | | | | | 491 | 295 | 704 | 507 | 917 | 720 | 1130 | 933 | | | 557 | 360 |
| | 10 | | | | | 451 | 233 | 664 | 446 | 877 | 658 | 1090 | 871 | 1302 | 1084 | 618 | 400 |
| | 11 | | | | | | | 624 | 384 | 837 | 597 | 1050 | 809 | 1263 | 1022 | 680 | 440 |
| | 12 | | | | | | | 584 | 322 | 797 | 535 | 1010 | 748 | 1223 | 960 | 742 | 480 |

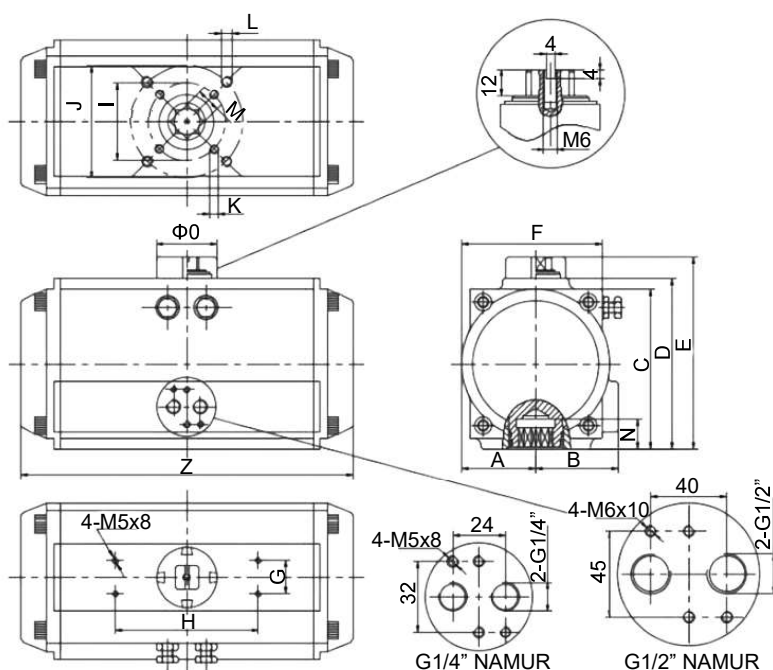
Krouticí moment [Nm] v závislosti na pracovním tlaku (pokračování)

| Ø pístu [mm] | Počet pružin | Vstupní tlak [MPa] a poloha | | | | | | | | | | | | | | Návrat pružinami | |
|--------------------|-----------------|-----------------------------|-----|------|------|------|------|------|------|------|------|------|------|------|------|------------------|------|
| | | 0,25 | | 0,3 | | 0,4 | | 0,5 | | 0,6 | | 0,7 | | 0,8 | | | |
| | | 0° | 90° | 0° | 90° | 0° | 90° | 0° | 90° | 0° | 90° | 0° | 90° | 0° | 90° | 90° | 0° |
| 210 | 5 | 390 | 285 | 523 | 418 | 789 | 684 | | | | | | | | | 380 | 275 |
| | 6 | 335 | 209 | 468 | 342 | 734 | 608 | 1000 | 874 | | | | | | | 456 | 330 |
| | 7 | 280 | 133 | 413 | 266 | 679 | 532 | 945 | 798 | | | | | | | 532 | 385 |
| | 8 | | | 358 | 190 | 624 | 456 | 890 | 722 | 1156 | 988 | 1422 | 1254 | | | 608 | 440 |
| | 9 | | | | | 569 | 380 | 835 | 646 | 1101 | 912 | 1367 | 1178 | | | 684 | 495 |
| | 10 | | | | | 514 | 304 | 780 | 570 | 1046 | 836 | 1312 | 1102 | 1578 | 1368 | 760 | 550 |
| | 11 | | | | | | | 725 | 494 | 991 | 760 | 1257 | 1026 | 1523 | 1292 | 836 | 605 |
| | 12 | | | | | | | 670 | 418 | 936 | 684 | 1202 | 950 | 1468 | 1216 | 912 | 660 |
| 240 | 5 | 552 | 409 | 744 | 600 | 1129 | 985 | | | | | | | | | 554 | 410 |
| | 6 | 470 | 297 | 662 | 489 | 1047 | 874 | 1432 | 1259 | | | | | | | 665 | 492 |
| | 7 | 388 | 187 | 580 | 379 | 964 | 764 | 1349 | 1149 | | | | | | | 775 | 575 |
| | 8 | | | 498 | 268 | 883 | 653 | 1267 | 1037 | 1652 | 1422 | 2037 | 1807 | | | 886 | 656 |
| | 9 | | | | | 800 | 542 | 1185 | 926 | 1569 | 1311 | 1954 | 1696 | | | 998 | 739 |
| | 10 | | | | | 718 | 431 | 1103 | 816 | 1488 | 1201 | 1872 | 1586 | 2257 | 1970 | 1108 | 821 |
| | 11 | | | | | | | 1021 | 705 | 1406 | 1090 | 1791 | 1474 | 2176 | 1859 | 1219 | 903 |
| | 12 | | | | | | | 939 | 594 | 1323 | 979 | 1708 | 1363 | 2093 | 1748 | 1330 | 985 |
| 270 | 5 | 890 | 675 | 1195 | 968 | 1779 | 1552 | | | | | | | | | 787 | 560 |
| | 6 | 790 | 519 | 1083 | 811 | 1667 | 1396 | 2252 | 1981 | | | | | | | 943 | 672 |
| | 7 | 679 | 361 | 972 | 654 | 1556 | 1238 | 2141 | 1823 | | | | | | | 1101 | 783 |
| | 8 | | | 860 | 497 | 1444 | 1081 | 2029 | 1666 | 2614 | 2252 | 3199 | 2836 | | | 1258 | 895 |
| | 9 | | | | | 1332 | 923 | 1917 | 1509 | 2502 | 2094 | 3087 | 2678 | | | 1416 | 1007 |
| | 10 | | | | | 1220 | 767 | 1805 | 1352 | 2390 | 1937 | 2974 | 2521 | 3560 | 3107 | 1572 | 1119 |
| | 11 | | | | | | | 1693 | 1194 | 2278 | 1779 | 2862 | 2364 | 3448 | 2949 | 1730 | 1231 |
| | 12 | | | | | | | 1582 | 1037 | 2167 | 1623 | 2751 | 2207 | 3336 | 2792 | 1887 | 1342 |
| 300 | 5 | 1097 | 729 | | | | | | | | | | | | | 1061 | 730 |
| | 6 | 935 | 494 | 1316 | 875 | | | | | | | | | | | 1273 | 876 |
| | 7 | 772 | 258 | 1153 | 639 | 1916 | 1402 | | | | | | | | | 1485 | 1022 |
| | 8 | | | 991 | 403 | 1754 | 1166 | 2517 | 1929 | | | | | | | 1697 | 1168 |
| | 9 | | | | | 1592 | 930 | 2355 | 1693 | 3119 | 2456 | | | | | 1909 | 1314 |
| | 10 | | | | | 1430 | 695 | 2193 | 1458 | 2956 | 2221 | 3719 | 2984 | 4482 | 3747 | 2122 | 1460 |
| | 11 | | | | | | | 2030 | 1222 | 2793 | 1985 | 3556 | 2748 | 4319 | 3511 | 2334 | 1606 |
| | 12 | | | | | | | 1868 | 986 | 2631 | 1749 | 3394 | 2512 | 4157 | 3275 | 2546 | 1752 |
| 350 | 5 | 1533 | 964 | | | | | | | | | | | | | 1702 | 1173 |
| | 6 | 1292 | 586 | 1863 | 1157 | | | | | | | | | | | 2043 | 1408 |
| | 7 | 1031 | 208 | 1602 | 779 | 2745 | 1922 | | | | | | | | | 2383 | 1642 |
| | 8 | | | 1341 | 401 | 2484 | 1544 | 3626 | 2686 | | | | | | | 2724 | 1877 |
| | 9 | | | | | 2224 | 1165 | 3336 | 2307 | 4508 | 3449 | | | | | 3064 | 2112 |
| | 10 | | | | | 1963 | 787 | 3105 | 1929 | 4247 | 3071 | 5390 | 4214 | 6532 | 5356 | 3405 | 2346 |
| | 11 | | | | | | | 2844 | 1551 | 3986 | 2693 | 5129 | 3836 | 6271 | 4978 | 3745 | 2581 |
| | 12 | | | | | | | 2584 | 1172 | 3726 | 2314 | 4869 | 3457 | 6011 | 4599 | 4086 | 2816 |

Krouticí moment [Nm] v závislosti na pracovním tlaku (pokračování)

| Ø pístu [mm] | Počet pružin | Vstupní tlak [MPa] a poloha | | | | | | | | | | | | | | Návrat pružinami | |
|--------------|--------------|-----------------------------|-----|------|------|------|------|------|------|------|------|------|------|------|------|------------------|------|
| | | 0,25 | | 0,3 | | 0,4 | | 0,5 | | 0,6 | | 0,7 | | 0,8 | | | |
| | | 0° | 90° | 0° | 90° | 0° | 90° | 0° | 90° | 0° | 90° | 0° | 90° | 0° | 90° | 90° | 0° |
| 400 | 7 | 1028 | 869 | | | | | | | | | | | | 2880 | 1837 | |
| | 8 | 1736 | 411 | 2550 | 1225 | | | | | | | | | | 3292 | 2100 | |
| | 9 | | | 2259 | 768 | 3887 | 2396 | | | | | | | | 3703 | 2362 | |
| | 10 | | | 1967 | 311 | 3595 | 1939 | 5223 | 3567 | | | | | | 4115 | 2624 | |
| | 11 | | | | | 3303 | 1482 | 4931 | 3110 | 6559 | 4738 | | | | 4526 | 2887 | |
| | 12 | | | | | 3012 | 1025 | 4640 | 2653 | 6286 | 4281 | 7895 | 5908 | 9523 | 7536 | 4938 | 3149 |
| | 13 | | | | | | | 4348 | 2195 | 5976 | 3823 | 7603 | 5450 | 9231 | 7078 | 5349 | 3412 |
| | 14 | | | | | | | 4057 | 1738 | 5685 | 3366 | 7312 | 4993 | 8940 | 6621 | 5761 | 3674 |
| | 15 | | | | | | | 3765 | 1281 | 5393 | 2909 | 7020 | 4536 | 8648 | 6164 | 6172 | 3937 |
| 16 | | | | | | | | | 5101 | 2452 | 6728 | 4079 | 8356 | 5707 | 6584 | 4199 | |

Rozměry



| Ø | A | B | C | D | E | F | G | H | Ø I | Ø J | K | L | M | N | Z | O | Připojení vzduchu |
|-----|------|------|------|-------|-----|-----|----|-----|-----|-----|--------|----------|----|----|-----|----|-------------------|
| 52 | 30 | 41,5 | 65,5 | 72 | 92 | 65 | 30 | 80 | 36 | 50 | M5x8 | M6x10 | 11 | 14 | 147 | 40 | NAMUR G1/4" |
| 63 | 36 | 47 | 81 | 87,5 | 108 | 72 | 30 | 80 | 50 | 70 | M6x10 | M8x13 | 14 | 18 | 168 | 40 | |
| 75 | 42 | 53 | 94 | 99,5 | 120 | 81 | 30 | 80 | 50 | 70 | M6x10 | M8x13 | 14 | 18 | 184 | 40 | |
| 83 | 46 | 57 | 98,5 | 108,7 | 129 | 92 | 30 | 80 | 50 | 70 | M6x10 | M8x13 | 17 | 21 | 204 | 40 | |
| 92 | 50 | 58,5 | 111 | 116,5 | 137 | 98 | 30 | 80 | 50 | 70 | M6x10 | M8x13 | 17 | 21 | 262 | 40 | |
| 105 | 57,5 | 64 | 123 | 133 | 153 | 110 | 30 | 80 | 70 | 102 | M8x13 | M10x16 | 22 | 26 | 268 | 40 | |
| 125 | 67,5 | 74,5 | 146 | 155 | 185 | 128 | 30 | 130 | 70 | 102 | M8x13 | M10x16 | 22 | 26 | 301 | 55 | |
| 140 | 75 | 77 | 161 | 172 | 202 | 138 | 30 | 130 | 102 | 125 | M10x16 | M12x20 | 27 | 31 | 390 | 55 | |
| 160 | 87 | 87 | 184 | 197 | 227 | 158 | 30 | 130 | 102 | 125 | M10x16 | M12x20 | 27 | 31 | 458 | 55 | |
| 190 | 103 | 103 | 216 | 230 | 260 | 189 | 30 | 130 | - | 140 | - | M16x25 | 36 | 50 | 525 | 80 | |
| 210 | 113 | 113 | 236 | 255 | 285 | 210 | 30 | 130 | - | 140 | - | M16x25 | 36 | 50 | 532 | 80 | |
| 240 | 130 | 130 | 265 | 290 | 320 | 245 | 30 | 130 | - | 165 | - | M20x25 | 46 | 60 | 602 | 80 | |
| 270 | 147 | 147 | 299 | 330 | 360 | 273 | 30 | 130 | - | 165 | - | M20x25 | 46 | 60 | 722 | 80 | |
| 300 | 162 | 173 | 330 | 354 | 384 | 312 | 30 | 130 | - | 165 | - | M20x25 | 46 | 60 | 820 | 80 | |
| 350 | 190 | 195 | 383 | 410 | 440 | 362 | 30 | 130 | 165 | 254 | M20x25 | 8xM16x25 | 46 | 60 | 900 | 80 | |
| 400 | 260 | 260 | 441 | 466 | 496 | 450 | 30 | 130 | 165 | 254 | M20x25 | 8xM16x25 | 46 | 60 | 940 | 80 | |



Snímače polohy řady ZLS pro pohony s kyvným pohybem řady ATM mají viditelnou a jasnou optickou signalizaci polohy. Vačka snímače je jednoduše a rychle nastavitelná bez speciálních nástrojů. Terminálový blok má 8 kontaktů dostupných pro snadné zapojení. Díky připojovacímu rozhraní podle Namur VDI/VDE 3845 je připojení snímače rychlé a snadné.

| Typ snímače | mechanický | indukční |
|--------------------------|--|-----------------------|
| Spínače | 2x přepínací (2xSPDT) | 2x přepínací (2xSPDT) |
| Spímané napětí a proud | 250V AC, 16A; 125V AC, 16A 250V DC, 0,2A; 125V DC, 0,4A; 30V DC, 4A | 12 až 24V DC |
| Krytí | IP65 / IP67 | |
| Okolní prostředí | nadmořská výška níže než 2000 m, teplotní rozsah max. -20 až +60 °C dle varianty snímače | |
| Signalizace polohy | optická | |
| Připojení snímače polohy | NAMUR VDI/VDE 3845, ISO 5211 | |
| Elektrické připojení | G1/2" | |

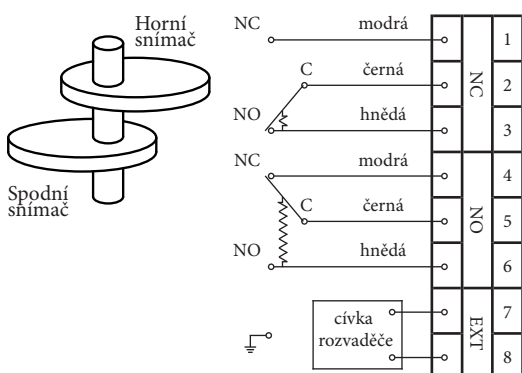
Objednací kódy

ZG-ZLS 300 G A ST

| Typ snímače | | Materiál tělesa | | Teplotní rozsah | |
|-------------|------------|-----------------|-------------------|-----------------|----------------|
| N | mechanický | A | hliníková slitina | ST | -20°C až +60°C |
| G | indukční | S | nerezavějící ocel | OL | -40°C až +60°C |
| | | | | LT | -60°C až +60°C |

Zapojení

Mechanický snímač



Indukční snímač

