



KEYWAY MASTER
EASTAR GROUP.

東星精密插床

Precision Slotting Machine





PRECISION SLOTTING MACHINE (Standard Manual feed) 手動進給精密插床

▼ Features:

1. Square ram slide way are harden & ground.
2. Head can swivel $\pm 30^\circ$
3. Built in lubrication system to prevent wear.
4. 8 Ram cutting speeds are available to choose suitable slotting speeds.

▼ 特性:

1. 四角鉋頭滑道經熱處理研磨，堅固耐用。
2. 鉋頭可左右旋轉 30° ，方便插斜鍵槽。
3. 本機設有潤滑給油裝置，以減少磨損及延長壽命。
4. 8段鉋頭切削速度，使插削速度更有選擇性。



TS-200K

TS-200KAT

C/W Optional :

- *Auto tool backing off device
- *Halogen lamp
- *CE standard

含下列選用配件:

- *機械式自動退刀裝置
- *石英燈
- *歐規CE護罩



TS-300K



TS-350K

SPECIFICATION FOR TS-200K,TS-300K,TS-350K 規格表

單位:UNIT MM(INCH)

ITEM 項目	MODEL 型式	TS-200K	TS-300K	TS-350K
Ratio of indexing 分度比		1:80	1:80	1:80
Max. travel of the ram (stroke) 衝程		200 (8")	300 (12")	350 (14")
No. of stroke per minute (60HZ) spm. 速度 (次/分,60HZ)	L: 26-31-36-46 H: 53-62-73-93		L: 26-31-36-46 H: 53-62-73-93	L: 22-26-31-39 H: 44-52-61-78
No. of stroke per minute (50HZ) spm. 速度 (次/分,50HZ)			L: 22-26-31-39 H: 44-52-61-78	
Vertical adjustment of ram 鉋頭垂直調整距離		220 (8.5")	320 (12.5")	320 (12.5")
Swivel angle of head 鉋頭旋轉角度		± 30°	± 30°	± 30°
Distance between end of ram guideway and work table(A) 鉋頭導路下端至工作台距離		300 (12")	365 (14")	470 (18.5")
Distance between tooling center and column surface 刀桿中心至機身面距離 (喉深)(B)		355 (14")	510 (20")	560 (22")
Dimension of working table 工作台尺寸		Ø400 (Ø16")	Ø560 (Ø22")	Ø560 (Ø22")
Longitudinal travel of working table 工作台左右移動距離 (X)		250 (10")	460 (18")	460 (18")
Cross travel of working table 工作台前後移動距離 (Y)		250 (10")	460 (18")	460 (18")
Main spindle motor (2 speeds motor) 主軸馬達 (2速馬達)		2HP 6P/12P	5HP 4P/8P	5HP 4P/8P
Net weight 淨重		900KGS	1550KGS	1850KGS
Packing dimension 包裝尺寸		1250x800x1670mm (50"x32"x66")	1900x1100x2000mm (75"x44"x79")	1900x1100x2100mm (75"x44"x83")

※ All specifications and designs are subject to change without notice. ※ 本公司對產品不斷研究改良，上述規格及設計如有變更，恕不另行通知。

Standard Accessories:

- 1.Lubrication system
- 2.Rotary table
- 3.Tool box & tools
- 4.Rubber chip cover

標準配件:

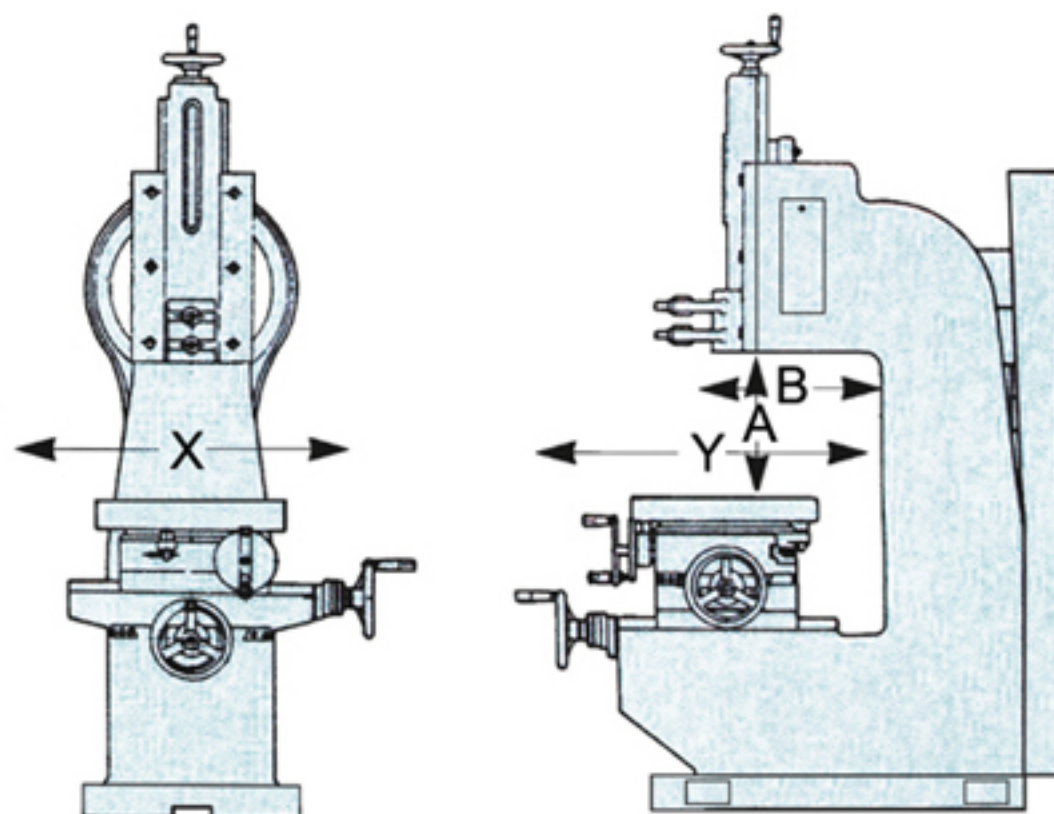
1. 注油器
2. 旋轉工作台
3. 工具箱
4. 橡膠檔屑板

Optional Accessories:

- 1.Mechanical Auto tool backing off device
- 2.Halogen lamp
- 3.Cooling system & Tray
- 4.Digital Readout
- 5.Slotting bar
- 6.3 jaws scroll chuck
- 7.Clamping kits set
- 8.CE standard

選用配件:

1. 機械式自動退刀裝置
2. 石英燈
3. 冷卻油裝置
4. 光學尺
5. 刀桿
6. 三爪夾頭
7. 夾持套
8. 歐規CE護罩





NC SLOTTER NC 插床

ONE AXIS AUTO. FEEDING & MANUAL DIVIDING

單軸自動進給及手動分度



NC-300A1



NC-200A1



NC-350A1

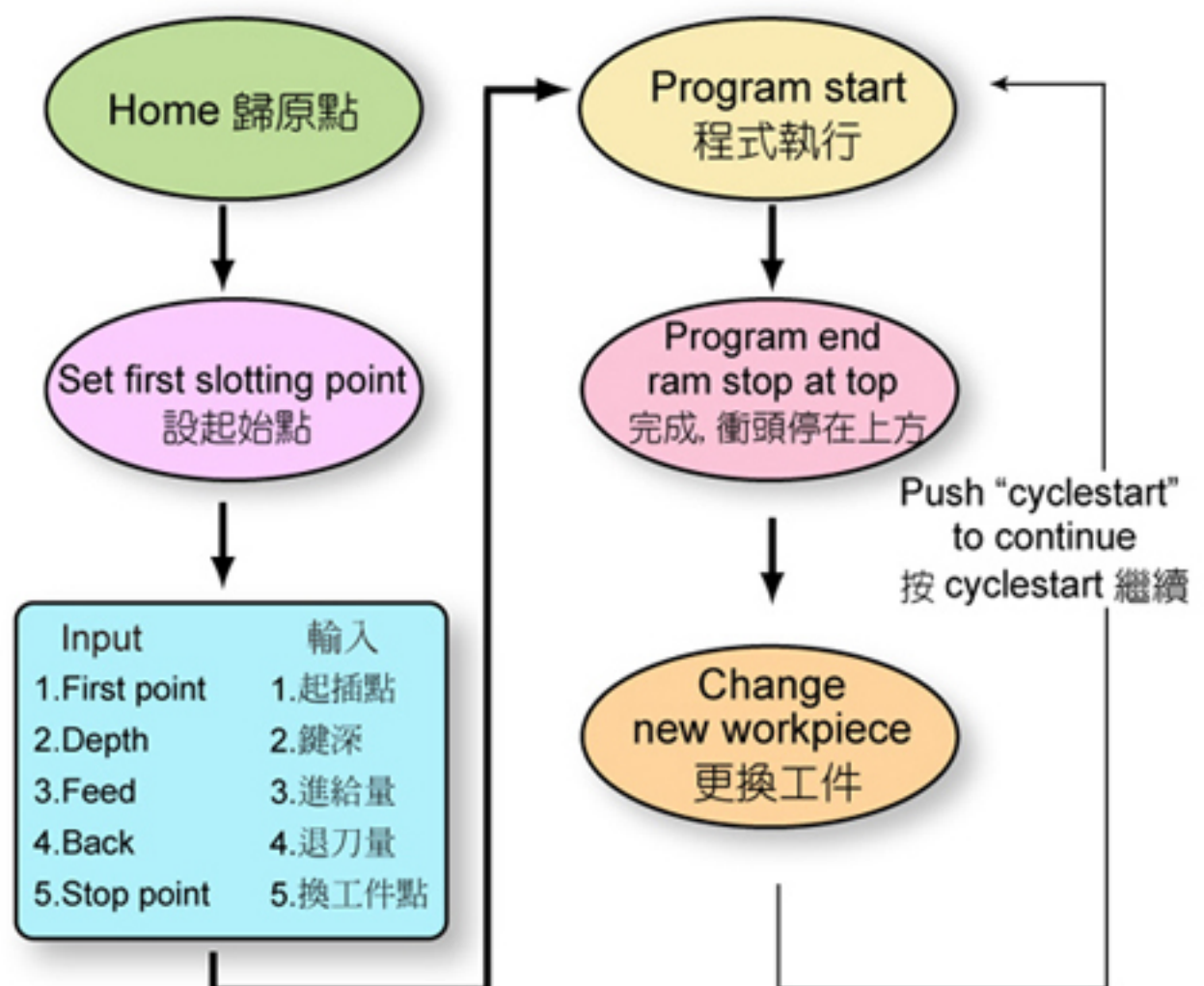
▼ Features:

1. With powerful delta PLC controller, User-friendly operating, Easy to learn.
2. Use AC servo motor with high precision C3 class ball screw for feeding purpose, best cutting accuracy and long life.
3. Program include auto tool relief function for best machining surface and prolong tool's life.
4. Built in automatic lubrication system to prevent wear.

▼ 特性:

1. 採用台達PLC控制器，親和性佳，操作容易。
2. 採用C3級精密滾珠螺桿及AC伺服馬達進給，精度高，壽命長。
3. 程式設有自動退刀功能，可避免工件刮傷及延長刀具壽命。
4. 本機設有自動潤滑給油裝置，以確保機械壽命。

▼ Operation process flowchart 操作流程示意圖



SPECIFICATION FOR NC-200A1,300A1,350A1 規格表

單位: UNIT MM (INCH)

ITEM 項目	MODEL 型式	NC-200A1	NC-300A1	NC-350A1
Ratio of indexing 分度比		1:80	1:80	1:80
Max. travel of the ram (stroke) 衝程		200 (8")	300 (12")	350 (14")
No. of stroke per minute (60HZ) spm. 速度 (次/分,60HZ)		L: 22-26-31-39 H: 44-52-61-78	L: 22-26-31-39 H: 44-52-61-78	L: 22-26-31-39 H: 44-52-61-78
No. of stroke per minute (50HZ) spm. 速度 (次/分,50HZ)				
Vertical adjustment of ram 鉋頭垂直調整距離		220 (8.5")	320 (12.5")	320 (12.5")
Swivel angle of head 鉋頭旋轉角度		± 30°	± 30°	± 30°
Distance between end of ram guideway and work table 鉋頭導路下端至工作台距離		300 (12")	365 (14")	470 (18.5")
Distance between tooling center and column surface 刀桿中心至機身面距離 (喉深)		355 (14")	510 (20")	560 (22")
Dimension of working table 工作台尺寸		Ø400(Ø16")	Ø560(Ø22")	Ø560(Ø22")
Longitudinal travel of working table 工作台左右移動距離 (X)		250 (10")	460 (18")	460 (18")
Cross travel of working table 工作台前後移動距離 (Y)		250 (10")	432 (17")	432 (17")
Main spindle motor (2 speeds brake motor) 主軸馬達 (2速煞車馬達)		2HP 6P/12P	5HP 4P/8P	5HP 4P/8P
Feeding servo motor 進給伺服馬達	1KW (AC Servo Motor)			
Net weight 淨重		900KGS	1600KGS	1900KGS
Packing dimension 包裝尺寸		1250x800x1670mm (50"x32"x66")	1900x1300x2000mm (75"x44"x79")	1900x1300x2100mm (75"x44"x83")

※ All specifications and designs are subject to change without notice.

※本公司對產品不斷研究改良，上述規格及設計如有變更，恕不另行通知。

Standard Accessories:

- 1.X,Y axis C3 ballscrews
- 2.X,Y axis slideway covers
- 3.Coolant system & Tray
- 4.Centralized automatic lubrication system
- 5.MPG Handwheel
- 6.Halogen work light
- 7.Alarm light
- 8.Adjusting tools & box

標準配件:

1. X, Y軸 C3 滾珠螺桿
2. X, Y軸 防塵護套
3. 冷卻系統
4. 自動注油系統
5. 手搖輪
6. 石英工作燈
7. 3色警示燈
8. 工具箱

Optional Accessories:

- 1.Transformer
- 2.Slotting bar
- 3.jaws scroll chuck
- 4.Clamping kits set
- 5.CE standard

選用配件:

1. 變壓器
2. 刀桿
3. 三爪夾頭
4. 夾持套
5. 歐規CE護罩



CNC SLOTTER CNC精密插床

X,Y axis auto feeding & C axis auto indexing (X,Y 軸自動進給+圓盤自動分度)

▼ Features:

- 1.X, Y Axis & Ram Slide Way hardened and precision ground.
- 2.Head can swivel $\pm 30^\circ$ for slotting taper keyway.
- 3.Use AC-servo motor with high precision C3 ball screw for feeding purpose, best cutting accuracy and long life.
- 4.Program include auto tool relief function for best slotting surface and prolong tool's life.
- 5.Built in automatic lubrication system to prevent wear.

▼ 特性:

- 1.X,Y 軸及衝頭滑道面均經硬化處理及精密研磨。
- 2.鉋頭可左右旋轉 30° ，方便插斜鍵槽。
- 3.採用C3級精密滾珠螺桿及AC伺服馬達進給，精度高，壽命長。
- 4.設有程式工作台自動退刀裝置，確保插刀常保鋒利。
- 5.本機設有自動潤滑給油裝置，以確保機械壽命。



CNC-200



CNC-300



CNC-350

▼ CNC 控制器



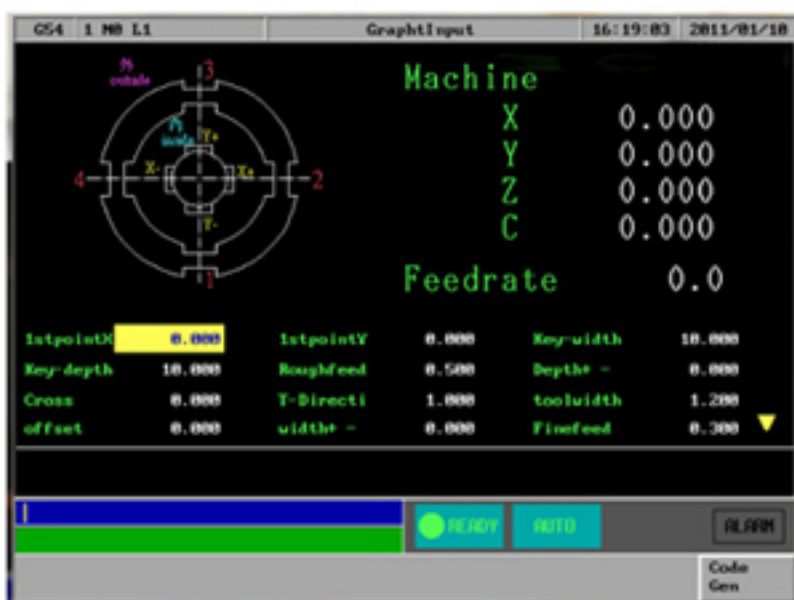
Specification

- 1.586 level industrial PC Base controller
- 2.10.4" TFT-LCD colorful monitor.
- 3.Built-in program memory volume is 16MB
- 4.Standard RS-232,CF Card,Ethernet

規格

- 1.586等級工業用PC Base 控制器
- 2.10.4吋 TFT-LCD 彩色銀幕
- 3.內建16MB程式記憶
- 4.標準 RS-232，CF，卡網路介面

▼ Conversation program edit, easy to learn 對話式程式編輯，簡單好學



Special design conversational program edit funtion,Operator just need to input data into dialog box, Then press Auto program generation key, The processing program will be created automatically.

特殊對話式程式編輯功能，使用者只需輸入各項尺寸，再按程式自動產生鍵即可產生所需程式，簡單、方便。

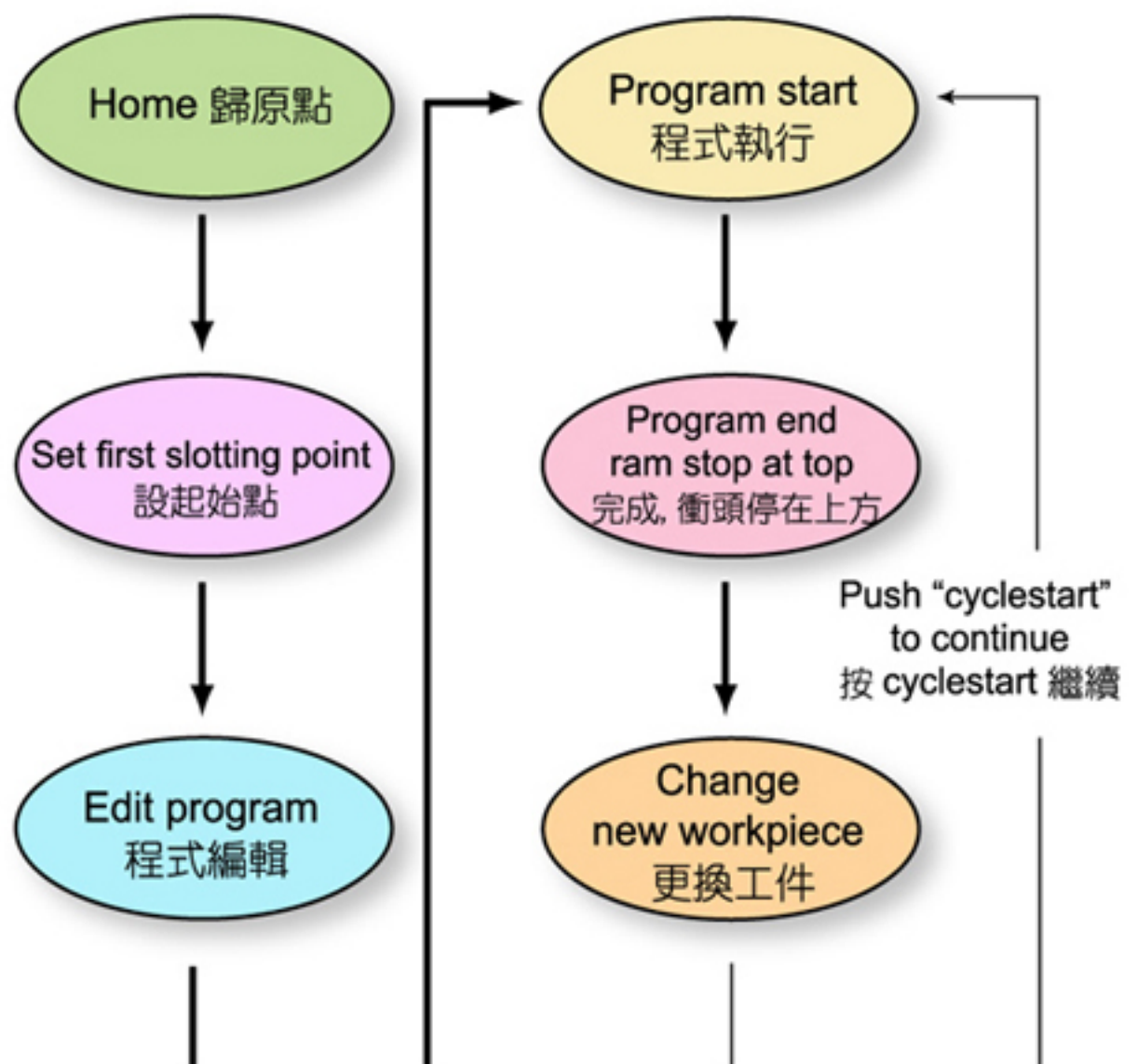
▼ Features:

- 1.Industrial PC base CNC control system, high compatibility and good stability.
- 2.Complete with standard international G/M code and friendly conversation program edit function.
- 3.Can maintain the control system or update the system software through the internet.
- 4.Complete with ladder and I/O diagnosis function ,and modularized electric circuit system ,Easy to maintain.
- 5.With MPG simulation function to help operator to test run the program avoiding crash accident.
- 6.Adopt CF memory card interface high stability and easily input/output program.
- 7.Standard language are Chinese and English, other language are available to develop.

▼ 特性:

1. PC base CNC 控制器、功能強、穩定性高、親和性佳。
2. 具備標準G/M Code功能及強大的對話式程式編輯功能，簡單好學。
3. 可透過網路系統作系統檢測及程式更新。
4. 模組化配電系統及完善的Ladder與I/O診斷功能，維修容易。
5. 可用手搖輪邊轉邊做模擬功能作程式測試，免除撞車疑慮。
6. 採用CF卡作程式儲存介面，穩定、耐震度高。
7. 標準中文、英文二種語言供使用者選擇，其他語言可配合開發。

▼ Operation process flowchart 操作流程示意圖



SPECIFICATION (MECHANISM) 機械規格表

單位: UNIT MM (INCH)

ITEM 項目	MODEL 型式	CNC-200	CNC-300	CNC-350
Max. travel of the ram (stroke) 衝程		200 (8")	300 (12")	350 (14")
Vertical adjustment of ram 鉋頭垂直調整距離		220 (8.5")	320 (12.5")	320 (12.5")
No. of stroke per minute (60HZ) spm. 速度 (次/分,60HZ)		L: 26-31-36-46 H: 53-62-73-93	L: 26-31-36-46 H: 53-62-73-93	L: 22-26-31-39 H: 44-52-61-78
No. of stroke per minute (50HZ) spm. 速度 (次/分,50HZ)			L: 22-26-31-39 H: 44-52-61-78	
Swivel angle of head 鉋頭旋轉角度		±30°	±30°	±30°
Distance between end of ram guideway and work table 鉋頭導路下端至工作台距離 (A)		300 (12")	365 (14")	470 (18.5")
Distance between tooling center and column surface 刀桿中心至機身面距離 (喉深)(B)		355 (14")	510 (20")	560 (22")
Diameter of working table 工作台直徑		Ø400 (Ø16")	Ø560 (Ø22")	Ø560 (Ø22")
Longitudinal travel of working table 工作台左右移動距離 (X)		250 (10")	432 (17")	432 (17")
Cross travel of working table 前後移動距離 (Y)		250 (10")	432 (17")	432 (17")
Main spindle motor (2 speeds brake motor) 主軸馬達(2速煞車馬達)		2HP 6P/12P	5HP 4P/8P	5HP 4P/8P
Packing dimension 包裝尺寸		1800x1200x1570 (53"x47"x62")	2000x1300x2100 (80"x51"x83")	2000x1300x2200 (80"x51"x87")
Net weight 淨重		950KGS	1650KGS	2000KGS

SPECIFICATIONS (CNC CONTROL UNIT) CNC控制單元規格表

ITEM 項目	MODEL 型式	CNC-200	CNC-300	CNC-350
Cutting feed rate of working table 工作台切削速度		0.0001"-0.02"/stroke 0.001-0.5mm/stroke	0.0001"-0.02"/stroke 0.001-0.5mm/stroke	0.0001"-0.02"/stroke 0.001-0.5mm/stroke
X,Y Axis rapid traverse X,Y 軸快速移動速度		10 m/min	10 m/min	10 m/min
Mini indexing unit (degree) 最小分割角度		0.001° (Auto)	0.001° (Auto)	0.001° (Auto)
X Axis servo motor X 軸伺服馬達		1kw	1kw	1kw
Y Axis servo motor Y 軸伺服馬達		1kw	1kw	1kw
Rotary axis servo motor 旋轉軸伺服馬達		0.75Kw	2kw	2kw

※ All specifications and designs are subject to change without notice. ※本公司對產品不斷研究改良，上述規格及設計如有變更，恕不另行通知。

Standard Accessories:

- 1.X,Y axis C3 ballscrews
- 2.X,Y axis slideway covers
- 3.Coolant system & Tray
- 4.Centralized automatic lubrication system
- 5.MPG Handwheel
- 6.Halogen work light
- 7.Alarm light
- 8.Adjusting tools & box

標準配件:

1. X,Y軸 C3 滾珠螺桿
2. X,Y軸 防塵護套
3. 冷卻系統
4. 自動注油系統
5. 手搖輪
6. 石英工作燈
7. 3色警示燈
8. 工具箱

Optional Accessories:

- 1.Transformer
- 2.Mechanical Auto tool backing off device
- 3.Slotting bar
- 4.3 jaws scroll chuck
- 5.Clamping kits set
- 6.CE standard

選用配件:

1. 變壓器
2. 機械式自動退刀裝置
3. 刀桿
4. 三爪夾頭
5. 夾持套
6. 歐規CE護罩

◀◀◀ TS-125K

SPECIFICATION FOR TS-125K 規格表

單位:UNIT MM(INCH)



ITEM 項目	MODEL 型式	TS-125K	ITEM 項目	MODEL 型式	TS-125K
Ratio of indexing 分度比		1:90 (optional)	Distance between tooling center and column surface 刀桿中心至機身面距離 (喉深) (B)		280 (11")
Max. travel of the ram (stroke) 衝程		125 (5")	Dimension of working table 工作台尺寸		815x240 (32"x9.4")
No. of stroke per minute (60HZ) spm. 速度 (次/分,60HZ)		35-54-79-112-160	Longitudinal travel of working table 工作台左右移動距離 (X)		400 (16")
No. of stroke per minute (50HZ) spm. 速度 (次/分,50HZ)		30-47-69-98-140	Cross travel of working table 工作台前後移動距離 (Y)		300 (12")
Vertical adjustment of ram 鉋頭垂直調整距離		200 (8")	Main spindle motor 主軸馬達		3/4HP-3Ø-6P
Swivel angle of head 鉋頭調整角度		±30°	Net weight 淨重		650KGS
Distance between end of ram guideway and work table 鉋頭導路下端至工作台距離 (A)		200~432 (8"~17")	Packing dimension 包裝尺寸 (mm)		1050x1050x1900 (42"x42"x75")

Standard Accessories 標準配件:

1. Lubrication system 注油器
2. Rubber chip cover 檔屑板
3. Tool box & tools 工具箱

Optional Accessories 選用配件:

1. Rotary table Ø8 旋轉工作台 Ø8
2. 3 jaws scroll chuck 三爪夾頭
3. Slotting bar 刀桿
4. CE Ram guard CE 護罩

Milling Machine Attachment

SLOTING HEAD ▶▶▶ TS-125

專利 Patented No. 192183

Specifications 規格:

1. Stroke (衝程): 125mm(5")
2. No. of stroke speed change (衝頭段數): 5 steps (段)
3. Stroke speed (stroke/min.) (速度):
30,47,69,98,140 spm(50HZ)
4. Stroke speed (stroke/min.) (速度):
35,54,79,112,160 spm(60HZ)
5. Driving Motor (驅動馬達): 3/4HP-6P

Optional Accessories 選用配件:

1. Flange A (法蘭A)
2. Flange B (法蘭B)
3. Slotting bar (刀桿)





台灣 台中市豐原區三豐路742巷372號
No.372, Lane 742, San-Feng Rd., Feng Yuan territory,
Taichung City, TAIWAN
Tel: 886-4-2522-4667 Fax: 886-4-2520-5010
E-mail: sales@eostar.com.tw

www.keywaymaster.com.tw