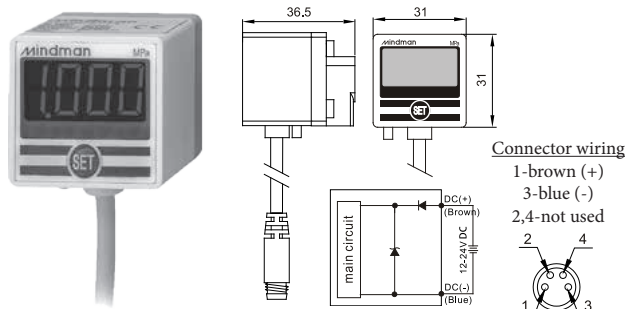


Digital gauges

Description	Order codes
Digital pressure gauge MP23, G1/8", cable 2m	PMP23P-F3
Digital pressure gauge MP23, G1/8", 4-pin connector M8x1	PMP23P-F3-QD
Bracket BT-1	PMP25-BT1
Bracket BT-2	PMP25-BT2
Panel mounting adapter with protective cover PA	PMP25-PA



Description	Value
Working medium	air, non-corrosive gases, incombustible gases
Supply voltage [V]	12 to 24, DC ($\pm 10\%$)
Display	3 1/2 digits, red LED, sampling rate 5x per second
Accuracy at 25 °C	$\leq \pm 2\%$ of full span, ± 1 digit
Protection	short circuit-integrated, enclosure IP40
Ambient temp. range [°C]	0 to +50 (no dew condensation or icing)

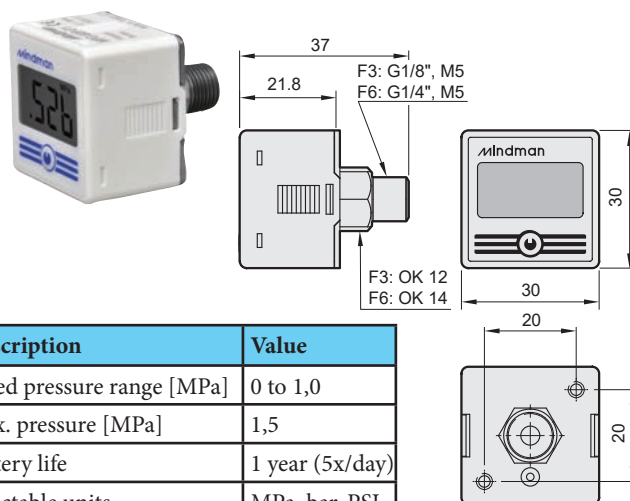
Description	Value
Rated pressure range [MPa]	-0,1 to 1,0
Max. pressure [MPa]	1,5
Current consumption [mA]	up to 55
Selectable units	MPa, bar, PSI, kgf/cm ²
Ambient humidity [%]	35 to 85
Weight [kg]	0,102

Note:

- See page 3-6 for cables with connector.
- See www.sappv.cz for dimensions of bracket and panel adapter.
- Gauge has 2 inlet ports, bottom and back, plug is attached.

Digital battery pressure gauge

Description	Order code
Digital pressure gauge MPG60, external G1/8", internal M5	PMPG60PL-F3
Digital pressure gauge MPG60, external G1/4", internal M5	PMPG60PL-F6
Bracket BT-5	PMP-A5
Bracket BT-6	PMP-A6
Panel mounting adapter with protective cover PA-D	PMP-C2

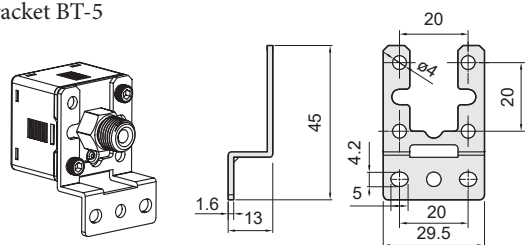


Description	Value
Working medium	air, non-corrosive gases, incombustible gases
Battery	CR2032 lithium, replaceable
Display	3 1/2 digits, LCD, sampling 2x per second, back light
Accuracy at 25 °C	$\leq \pm 2\%$ F. S., ± 1 digit
Enclosure	IP65 (air tube must be installed)
Ambient temperature range [°C]	0 to +50 (no dew condensation or icing)

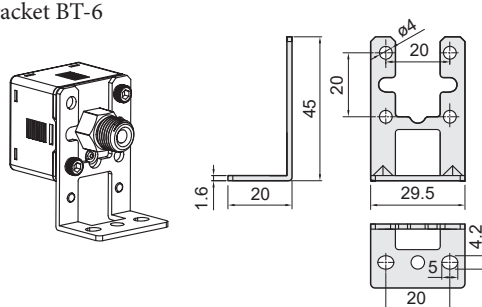
Description	Value
Rated pressure range [MPa]	0 to 1,0
Max. pressure [MPa]	1,5
Battery life	1 year (5x/day)
Selectable units	MPa, bar, PSI, kgf/cm ²
Ambient humidity [%]	35 to 85
Weight [kg]	0,04



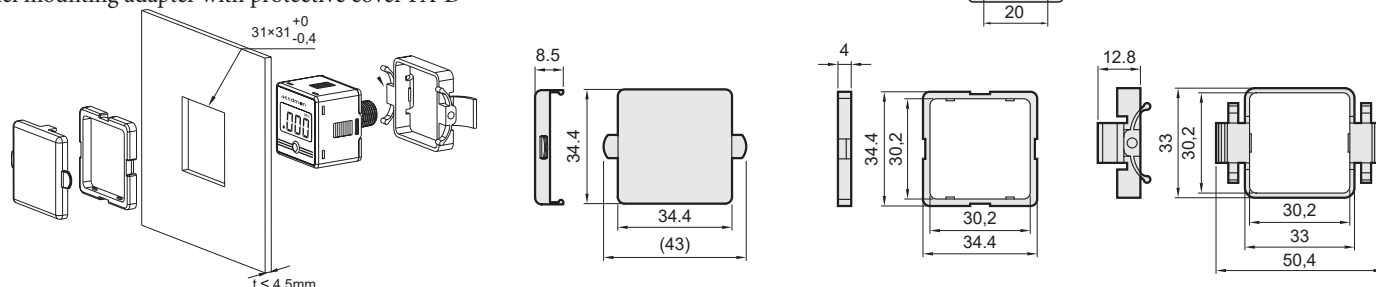
Bracket BT-5



Bracket BT-6



Panel mounting adapter with protective cover PA-D



The gauge display is off by default. If you want to display the current pressure, just press the button and the measured value will be displayed for 60 seconds. Then the display goes off again.