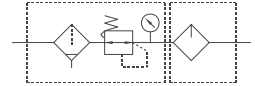


FRL AIR PREPARATION UNIT SERIES MACP302



The new FRL unit series with robust metal construction with polycarbonate or nylon bowls with plastic guards, or with metal bowls. High flow rate and 5 µm filter element predestine these units for all smaller applications.



Port thread	G1/4"	G3/8"	G1/2"
Primary pressure [MPa]	0.05 to 0,99		
Secondary pressure [MPa]	0.05 to 0,85		
Test pressure [MPa]	1,5		
Temperature range [°C]	-5 to +60		
Filter element [µm]	5		
Oil bowl capacity [l]	0.065		
Min. lubricator flow [NI/min]	50	60	60
Weight [kg]	0,85		
Supply contains	gauge (PPG-20)*, bracket (T-shaped)		

*) Gauge PPG-40 can only be used with a threaded adapter, order code PA-MAR302, see pg 8-21

Order codes

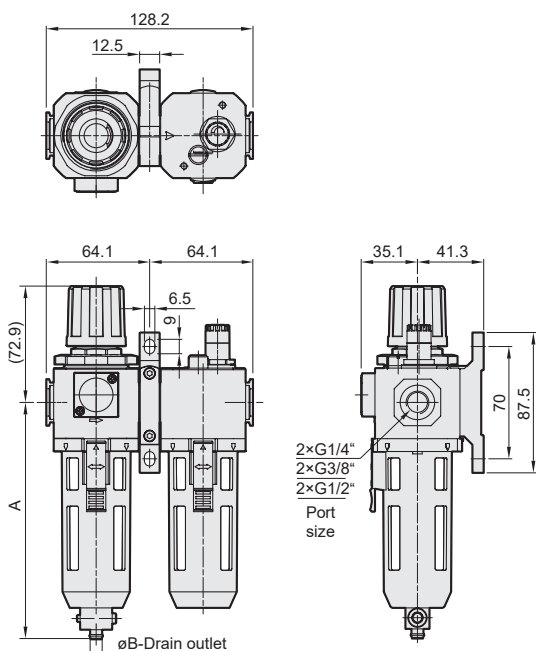
PMACP302 – 8A M = BSP

Port size		Bowl		Condensation draining	
8A	G1/4"		polycarbonate	–	semiautomatic
10A	G3/8"	N	nylon	D	automatic
15A	G1/2"	M	metal		

i Semiautomatic condensation draining automatically drains when the primary pressure drops under 0.05 MPa.

i The unit can be placed with the inlet on the right or on the left.

Dimensions



Semiautomatic condensation draining

Bowl	A	B - inner tube ø
polycarbonate	147,1	6
nylon		
metal	147,2	5

Automatic condensation draining

Bowl	A	B - outer tube ø
polycarbonate	156,6	8
nylon		
metal	159,1	8

Flow capacity

Flow rates at primary pressure 0,7 MPa

