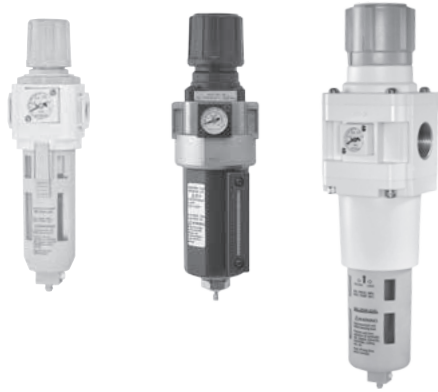
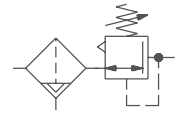


PARTICULAR FILTER WITH REGULATOR SERIES MAFR302, MAFR401 AND MAFR501



The integral part of the particulate filter/regulator ('piggyback') is a two station component designed to filter and regulate compressed air when cost and space are of primary concern.

Series 401 has got metal bowl with sight glass and series 302 and 501 have got polycarbonate or nylon bowl with plastic guard or metal bowl.



Port size	MAFR302			MAFR401			MAFR501	
	G1/4"	G3/8"	G1/2"	G1/4"	G3/8"	G1/2"	G3/4"	G1"
Primary pressure [MPa] for semiautomatic drain	0,05 to 1			0,05 to 1,5			0,05 to 1 and 0,05 to 1,5 for metal bowl	
Primary pressure [MPa] for automatic drain	0,15 to 1			0,15 to 1			0,15 to 1	
Secondary pressure [MPa]	0,05 to 0,85			0,1 to 0,85			0,1 to 0,85	
Test pressure [MPa]	1,5			2,0			1,5, 2 for metal bowl	
Filter element [µm]	5			5			40	
Temperature range [°C]	-5 to +60			-5 to +60			-5 to +60	
Weight [kg]	0,49			0,80			1,94, 2,06 for metal bowl	
Supply contains	gauge (PPG-20)*, bracket (elbow)			gauge (PPG-20)*, bracket (elbow)			gauge (PPG-20)*, bracket (elbow)	

*) Gauge PPG-40 can only be used with a threaded adapter, order code PA-MAR302 (for series 302 and 501) or order code PA-MAR401 (for series 401), see pg 8-21

Order codes

PMAFR401-10A = 5u – BSP

Port size		Condensation draining	
401-8A	G1/4"	–	semiautomatic
401-10A	G3/8"	D	automatic
401-15A	G1/2"		

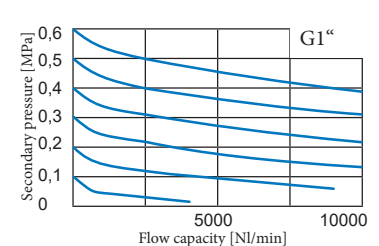
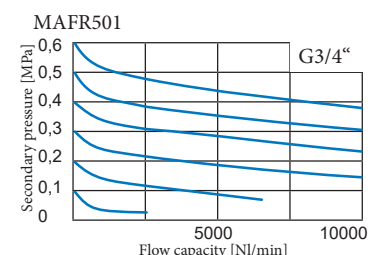
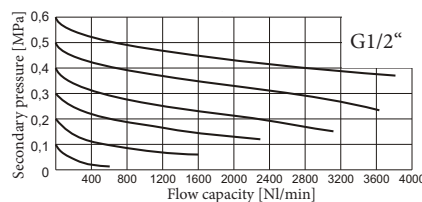
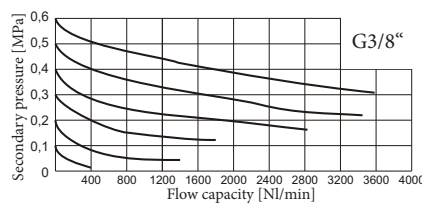
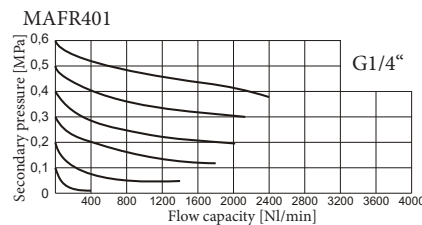
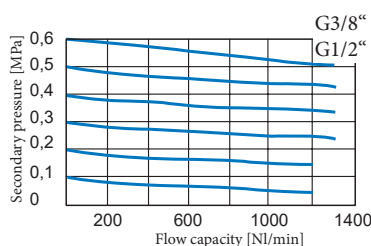
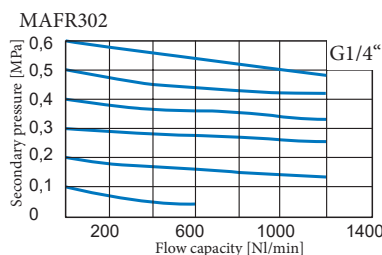
PMAFR501-20A M = BSP

Port size		Bowl	Condensation draining	
302-8A	G1/4"		–	semiautomatic
302-10A	G3/8"	N	D	automatic
302-15A	G1/2"	M		
501-20A	G3/4"			
501-25A	G1"			

i Semiautomatic condensation draining automatically drains when the primary pressure drops under 0,05 MPa.

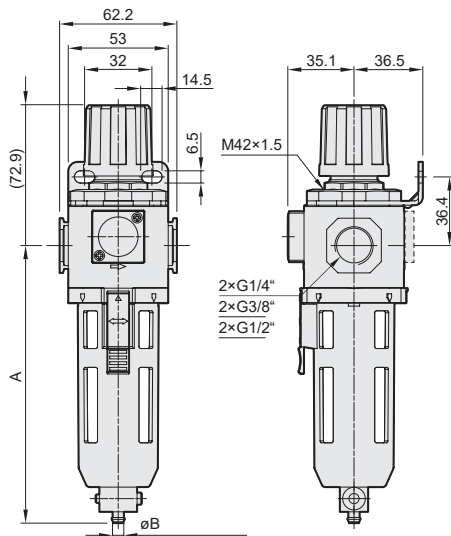
Flow capacity

Flow rates at primary pressure 0,7 MPa



Dimensions

MAFR302



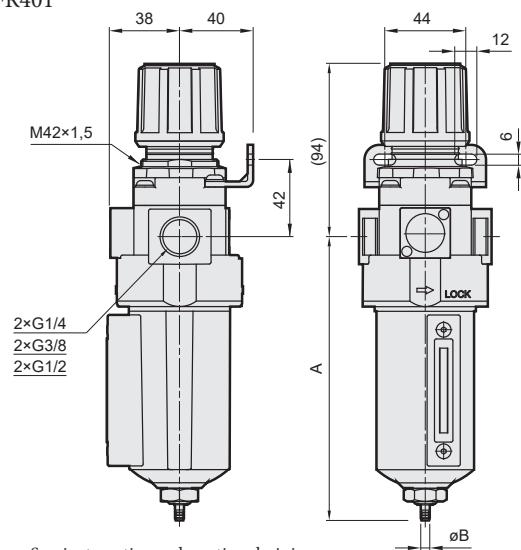
Semiautomatic condensation draining

Bowl	A	B - inner tube ø
polycarbonate	147,1	6
nylon		
metal	147,2	5

Automatic condensation draining

Bowl	A	B - outer tube ø
polycarbonate	156,6	8
nylon		
metal	159,1	8

MAFR401

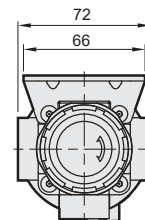


Semiautomatic condensation draining

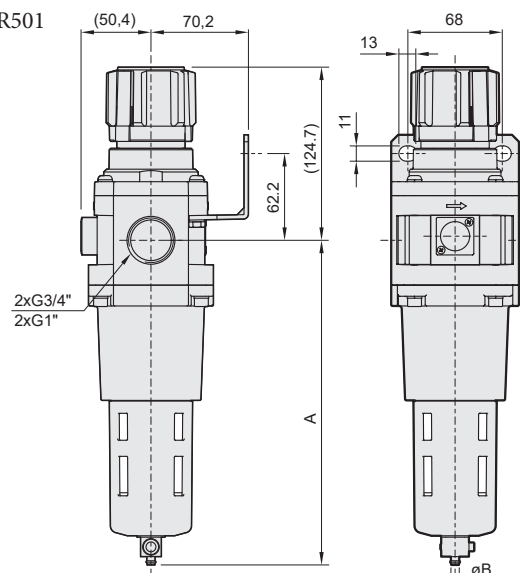
Bowl	A	B - inner tube ø
metal	154	5

Automatic condensation draining

Bowl	A	B - outer tube ø
metal	166	8



MAFR501



Semiautomatic condensation draining

Bowl	A	B - inner tube ø
polycarbonate	233,8	6
nylon		
metal	231,4	5

Automatic condensation draining

Bowl	A	B - outer tube ø
polycarbonate	243,3	8
nylon		
metal	243,3	8

