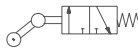
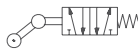


Valves are actuated by rolling the cam from the one or another side of the valve body. The cam must go over the roller and release it. During the cam return, the roller will not activate the valve. Those valves are used in pneumatic controlled circuits and everywhere where only one signal about movement is necessary. There are 3/2 normally closed and 5/2 valves available.

This valve series contains rubber gaskets.

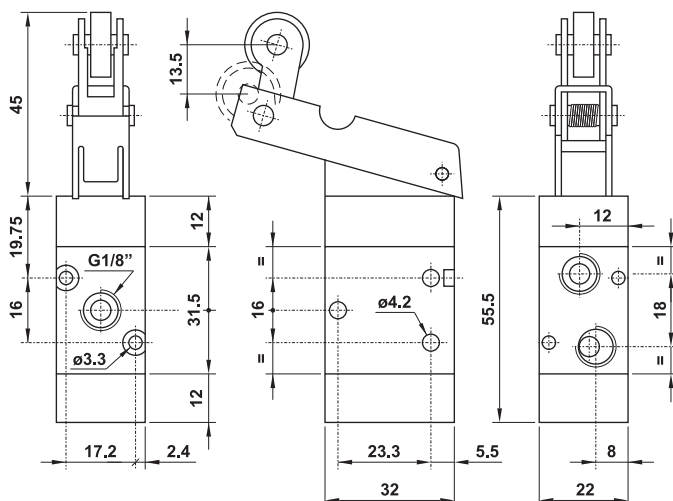
Ports	G1/8"
Flow capacity [NI/min]	550
Working pressure [MPa]	vacuum to 1.0
Temperature range [°C]	-20 to +60
Actuating force [N]	10
Working medium	modified compressed air
Weight [kg]	0.15 (3/2), 0.18 (5/2)

Order codes

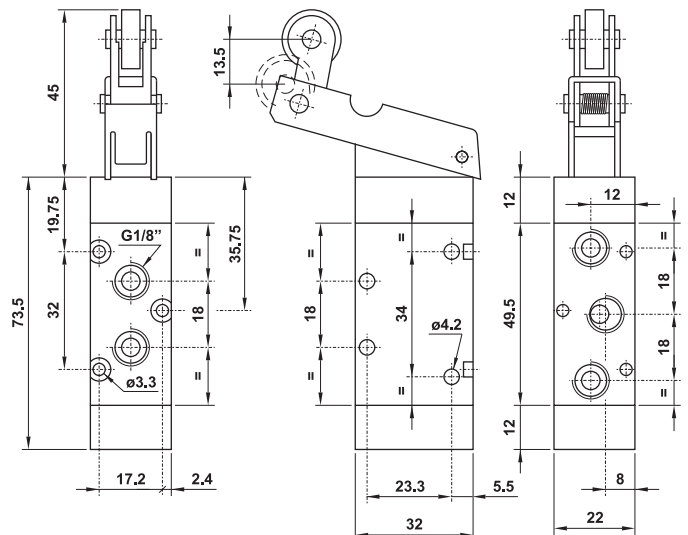
Ports	G1/8"
Valve 3/2 	2532 2190 0400 0002
Valve 5/2 	2552 2190 0400 0002

Dimensions

Valve 3/2



Valve 5/2



Technical data

Materials

body - aluminium alloy
 caps - aluminium alloy, technopolymer
 spring - stainless steel
 seals - NBR
 spool - nickel plated aluminium alloy
 internal parts - brass
 lever - zinc plated steel
 roller - bearing

Flow rate

