

SOLENOID ACTUATED VALVES SERIES MVSN



Valve series with connection according to NAMUR (VDI / VDE 3845)
The MVSN series is indirectly controlled. All 5/2 with one or two coils and 5/3 with medium closed, ventilated and under pressure are available. Version 3/2 can be made using an adapter that is ordered separately. Using the connection plate, the valve can be mounted directly on the cylinder inlet. A connector is also included.

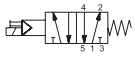
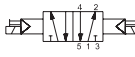
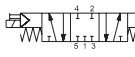
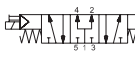

This valve series contains rubber gaskets.

Series	MVSN 300
Ports	G1/4" (NAMUR for outlet 2 and 4)
Flow capacity [Nl/min]	1905, or 1630 for function 5/3
Working pressure [MPa]	0.2 to 0.8 or 0.3 to 0.8 for function 5/3
Power input [W, VA]	2W for DC voltage, 6/4.9VA (230V) or 4.8/4.4 (24V) for AC voltage (inrush/hold)
Response time [ms]	50
Coil voltage tolerance	±10%
Temperature range [°C]	ambient temperature -5 to +50
Enclosure	IP65 with sealed and fastened connector
Weight [kg]	0.42 for 5/2 1 coil, 0.51 for 5/2 2 coils, 0.76 for 5/3

Order codes

PMVSN 300 4E2C A220

Size	
300	series MVSN 300, thread G1/4" and NAMUR

Function		
4E1		5/2 monostable (with 1 coil)
4E2		5/2 bistable (with 2 coils)
4E2C		5/3 with closed centre position
4E2C		5/3 with pressure centre position
4E2C		5/3 with exhaust centre position

Voltage	
D24	24 V DC ± 10%
A220	230 V AC ± 10%, 50-60 Hz
A24	24 V AC ± 10%, 50-60 Hz

i Supply contain connector(s).

Accessories

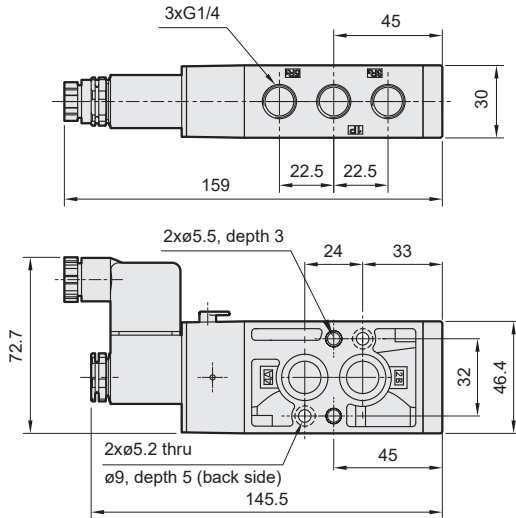
Description	Order codes
Adapter for making of 3/2 function (from 4E1)	PMVSN 300 -A
Connection plate for mounting the valve on cylinder inlet	PMVSN 300 -C

Spare coils

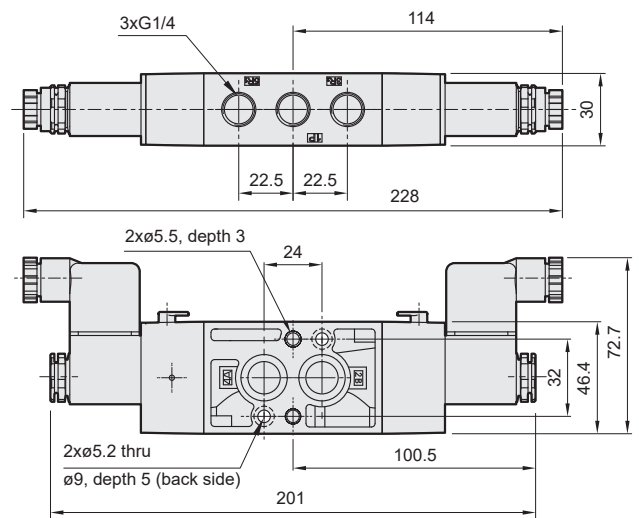
Order codes	Voltage	Power input
PMVSE260-COD24	24V DC	2,0 W
PMVSE260-COA24	24V 50-60 Hz	5,4 VA
PMVSE260-COA220	230V 50-60 Hz	4,9 VA

Dimensions of valve series MVSN

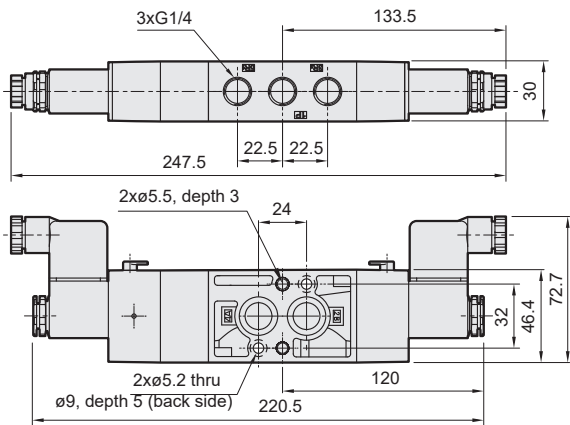
Type 5/2 with one coil:



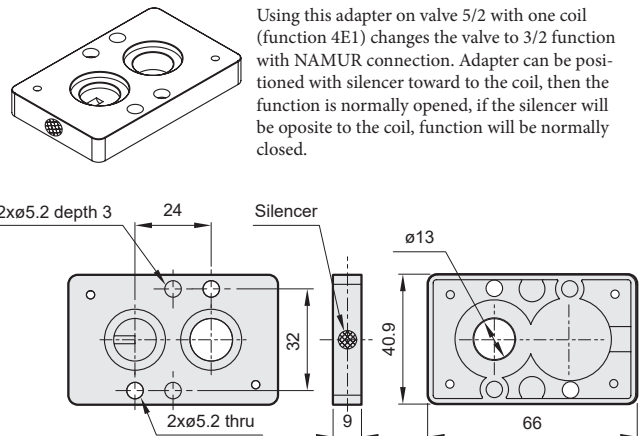
Type 5/2 with two coils:



Type 5/3:



Adapter for making of 3/2 function - PMVSN 300 - A:



Connection plate for mounting the valve on cylinder inlet PMVSN 300 -C:

