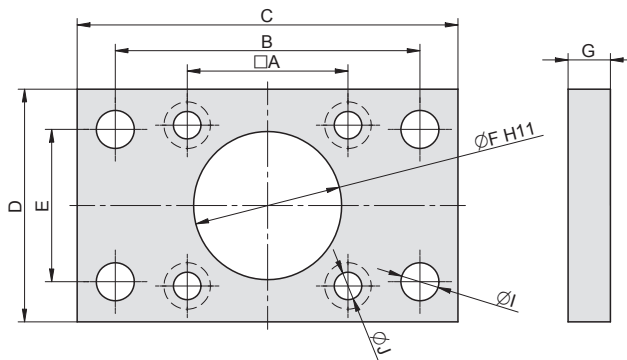
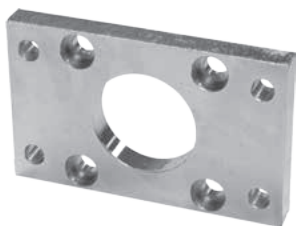


FLANGE MOUNTING FOR CYLINDER

- ISO 15552, VDMA 24562, NF E 49003.1
- DIN ISO 6431, VDMA 24562, NF E 49003.1
- COMPACT

Supply contains:
1 pc flange mounting
4 pcs screws

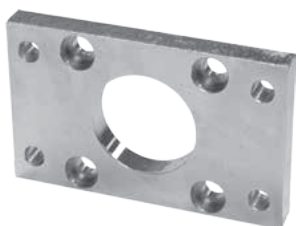


| Piston Ø | A | B | C | D | E | F | G | I | J | Weight | Order codes |
|----------|------|-----|-----|-----|-----|-----|----|----|-----|--------|---------------------|
| 32 | 32.5 | 64 | 80 | 50 | 32 | 30 | 10 | 7 | 6.5 | 0.24 | 2101 2000 0032 0000 |
| 40 | 38 | 72 | 90 | 55 | 36 | 35 | 10 | 9 | 6.5 | 0.28 | 2101 2000 0040 0000 |
| 50 | 46.5 | 90 | 110 | 70 | 45 | 40 | 12 | 9 | 9 | 0.56 | 2101 2000 0050 0000 |
| 63 | 56.5 | 100 | 120 | 75 | 50 | 45 | 12 | 9 | 9 | 0.64 | 2101 2000 0063 0000 |
| 80 | 72 | 126 | 153 | 100 | 63 | 45 | 16 | 12 | 11 | 1.60 | 2101 2000 0080 0000 |
| 100 | 89 | 150 | 178 | 115 | 75 | 55 | 16 | 14 | 11 | 2.18 | 2101 2000 0100 0000 |
| 125 | 110 | 180 | 220 | 140 | 90 | 60 | 20 | 16 | 14 | 4.16 | 2101 2000 0125 0000 |
| 160 | 140 | 230 | 260 | 190 | 115 | 65 | 20 | 18 | 18 | 7.06 | 2101 2000 0160 0000 |
| 200 | 175 | 270 | 312 | 220 | 135 | 75 | 25 | 22 | 18 | 12.20 | 2101 2000 0200 0000 |
| 250 | 220 | 330 | 380 | 270 | 165 | 90 | 25 | 26 | 22 | 18.48 | 2101 2000 0250 0000 |
| 320 | 270 | 400 | 460 | 340 | 200 | 110 | 30 | 33 | 26 | 32.90 | 2101 2000 0320 0000 |

FLANGE MOUNTING FOR CYLINDER

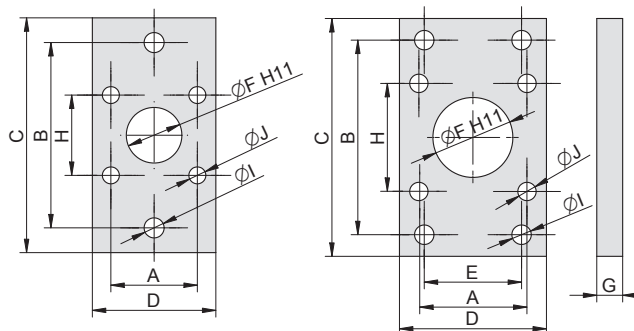
- SHORT STROKE

Supply contains:
1 pc flange mounting
4 pcs screws



For piston dia. 20 and 25

For piston dia. 32 to 100



| Piston Ø | A | B | C | D | E | F | G | H | I | J | Weight | Order codes |
|----------|-----|-----|-----|-----|----|----|----|-----|-----|------|--------|---------------------|
| 20 | 22 | 55 | 70 | 36 | - | 13 | 10 | 22 | 6.6 | 5.5 | 0.16 | 2125 2000 0020 0000 |
| 25 | 28 | 60 | 76 | 40 | - | 18 | 10 | 26 | 6.6 | 5.5 | 0.18 | 2125 2000 0025 0000 |
| 32 | 36 | 65 | 80 | 50 | 32 | 22 | 10 | 32 | 7 | 6.5 | 0.22 | 2125 2000 0032 0000 |
| 40 | 40 | 82 | 102 | 60 | 36 | 29 | 10 | 40 | 9 | 6.5 | 0.36 | 2125 2000 0040 0000 |
| 50 | 50 | 90 | 110 | 68 | 45 | 37 | 12 | 50 | 9 | 8.5 | 0.56 | 2125 2000 0050 0000 |
| 63 | 62 | 110 | 130 | 87 | 50 | 49 | 16 | 62 | 9 | 10.5 | 1.08 | 2125 2000 0063 0000 |
| 80 | 82 | 135 | 160 | 107 | 63 | 55 | 16 | 82 | 12 | 10.5 | 1.76 | 2125 2000 0080 0000 |
| 100 | 103 | 163 | 190 | 130 | 75 | 61 | 16 | 103 | 13 | 13 | 2.68 | 2125 2000 0100 0000 |