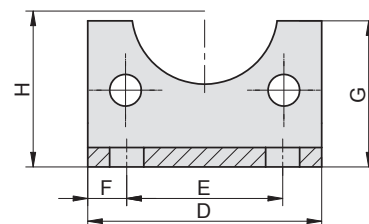
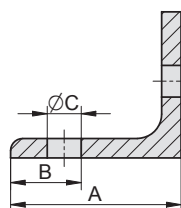


### FOOT MOUNTING FOR CYLINDER

- ISO 15552, VDMA 24562, NF E 49003.1
- DIN ISO 6431, VDMA 24562, NF E 49003.1
- COMPACT

Supply contains:  
1 pc foot mounting  
2 pcs screws

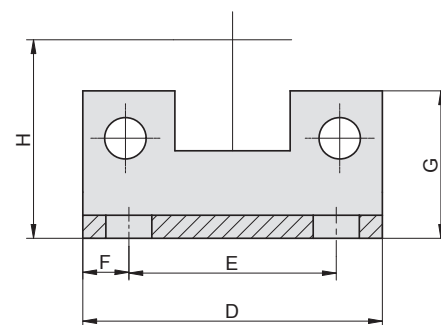
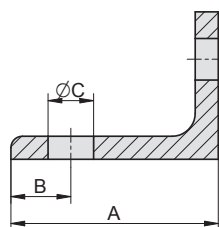


Piston $\varnothing$	A	B	C	D	E	F	G	H	Weight	Order codes
32	35	11	7	48	32	5	30	32	0.08	2101 2100 0032 0000
40	40	12	10	55	36	9.5	32	36	0.12	2101 2100 0040 0000
50	45	13	10	65	45	10	40	45	0.16	2101 2100 0050 0000
63	45	13	10	75	50	12.5	40	50	0.22	2101 2100 0063 0000
80	60	19	12	95	63	16	60	63	0.50	2101 2100 0080 0000
100	60	19	12	115	75	20	60	71	0.54	2101 2100 0100 0000
125	70	30	16.5	140	90	25	70	90	1.22	2101 2100 0125 0000
160	85	25	18.5	185	115	35	90	115	2.55	2101 2100 0160 0000
200	105	35	24	235	135	50	120	135	4.68	2101 2100 0200 0000
250	115	40	28	270	165	52.5	150	165	10.84	2101 2100 0250 0000
320	130	45	35	350	200	75	170	200	14.75	2101 2100 0320 0000

### FOOT MOUNTING FOR FRONT CAP OF CYLINDER

- DIN ISO 6431, VDMA 24562 WITH DOUBLE PISTON ROD

Supply contains:  
1 pc foot mounting  
2 pcs screws



Piston $\varnothing$	A	B	C	D	E	F	G	H	Weight	Order codes
32	35	11	7	48	32	5	23.5	32	0.08	2101 2200 0032 0000
40	40	12	10	55	36	9.5	25.5	36	0.12	2101 2200 0040 0000
50	45	13	10	65	45	10	32	45	0.16	2101 2200 0050 0000
63	45	13	10	75	50	12.5	35	50	0.22	2101 2200 0063 0000
80	60	19	12	95	63	16	42	63	0.50	2101 2200 0080 0000
100	60	19	12	115	75	20	45	71	0.54	2101 2200 0100 0000

Note: There is necessary to use standard foot mounting for cylinders DIN ISO 6431, VDMA 24562 (order code 2101 2100 0xxx 0000) when mounting on end cap.