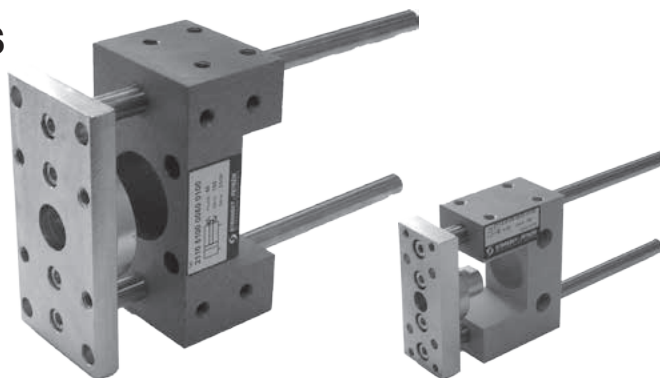


GUIDE UNIT „U“ WITH SLIDE BEARINGS FOR CYLINDER

- ISO 15552, VDMA 24562, NF E 49003.1
- DIN ISO 6431, VDMA 24562, NF E 49003.1
- COMPACT
- DIN ISO 6432

Supply contains:

- 1 pc guide body
- 1 pc flange
- 2 pcs guide rods
- 1 pc flange for fix to the cylinder



Guide unit can be mounted on any pneumatic cylinder to VDMA 24562, ISO 15552, compact (only for cylinders with internal thread on piston rod) or DIN ISO 6431 / 6432. Guide secures piston rod against rotation, high torque loads and radial forces. Guide rods are mounted in slide bearings without clearance.

Order codes

2101 510 00 050 0100

Guide unit U	
2101	for cylinder DIN ISO 6431, VDMA 24562, NF E 49003.1
2102	for cylinder ISO 15552
2110	for cylinder DIN ISO 6432
2120*	for compact cylinder*

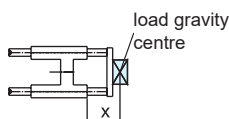
Options	
00	without options

Piston diameter	
012	12 mm, 16 mm
020	20 mm
025	25 mm
032	32 mm
040	40 mm
050	50 mm
063	63 mm
080	80 mm
100	100 mm
125	125 mm

Stroke	
xxxx	mm of stroke e.g. 0100 = stroke 100 mm

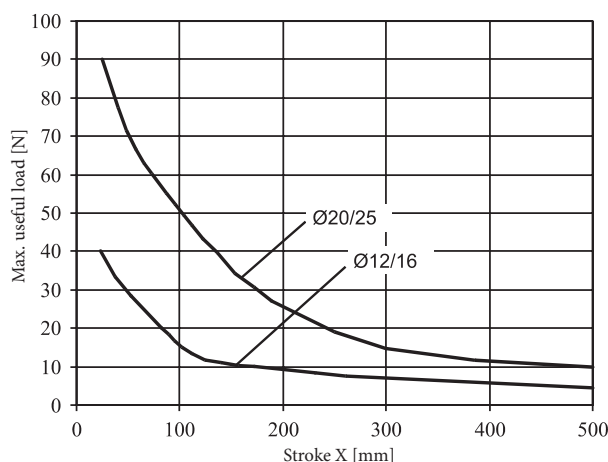
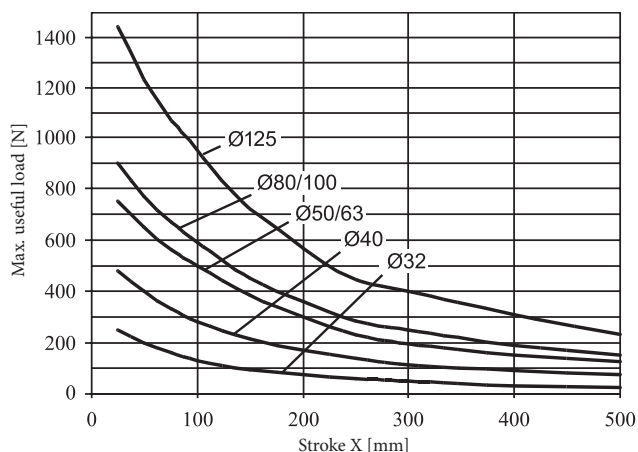
*) Cylinders with internal thread on piston rod only

Useful load



For cylinders to DIN ISO 6431, VDMA 24562 and NF E 49003.1

For cylinders to DIN ISO 6432



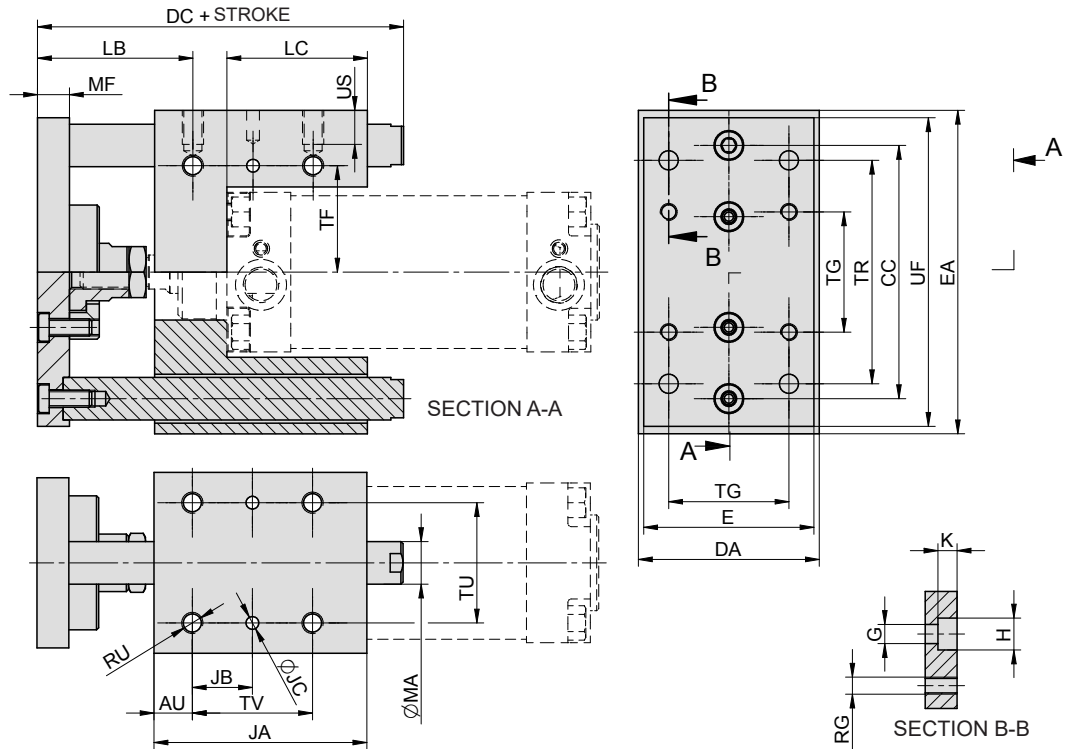
Construction / materials

- guide bars: grounded round steel bar CK45 with chrome plated surface
- guide body: aluminium casting
- flange and nut: zinc plated steel
- bearings: slide, self-lubricating

Piston diameter [mm]	20	25	32	40	50	63	80	100	125
Weight 0 mm stroke [kg]	0.49	0.48	0.67	1.04	1.65	2.01	2.68	6.69	20.24
Weight add. per 1 mm stroke [kg]	0.001	0.001	0.001	0.002	0.002	0.002	0.003	0.003	0.012

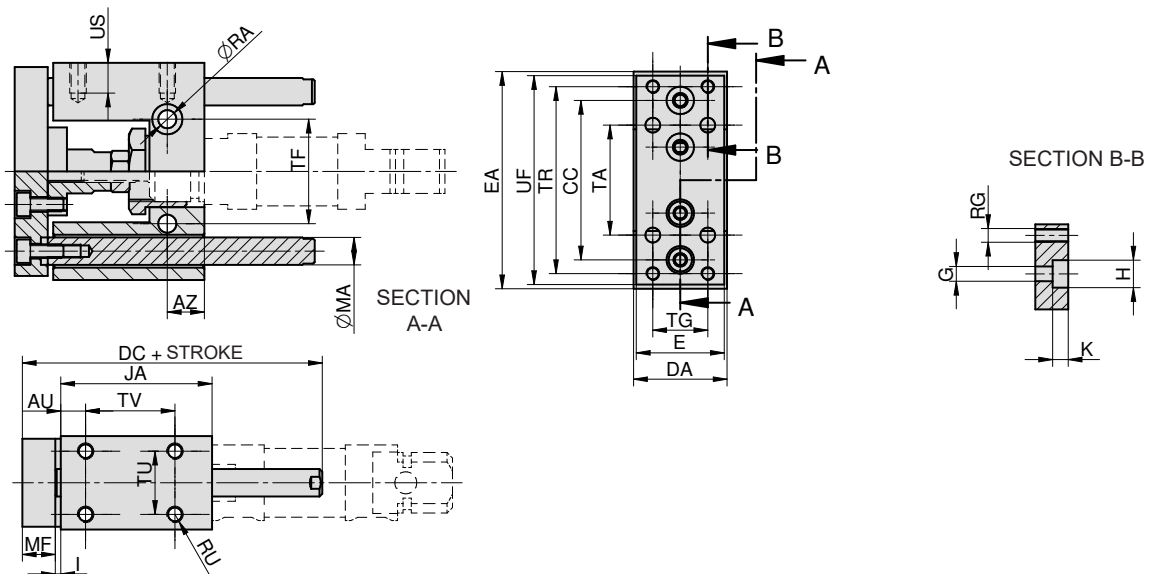
Dimensions

For cylinder to ISO 15552, DIN ISO 6431, VDMA 24562, NF E 49003.1 and compact (piston diameter 32 to 125 mm)



Ø	AU	CC	DA	DC	E	EA	G	H	JA	JB	JC	K	LB	LC	MA	MF	RG	RU	TR	TF	TG	TU	TV	UF	US
32	12	74	50	130	45	97	6.5	11	70	16.25	6	6	59-69	50	12	12	M6	M6	78	30.5	32.5	32.5	32.5	92	10
40	14	87	58	145	54	115	6.5	11	80	19	6	6	63-73	55	16	12	M6	M6	84	34.5	38	38	38	110	10
50	18	104	70	162	63	137	9	15	90	23.25	6	9	70-80	56	20	15	M8	M8	100	42.5	46.5	46.5	46.5	130	13
63	18	119	85	172	80	152	9	15	100	28.25	6	9	73-83	66	20	15	M8	M8	105	50	56.5	56.5	56.5	145	13
80	18	148	105	220	100	189	11	18	130	36	6	11	89-99	90	25	20	M10	M10	130	65	72	72	72	180	16
100	19.5	172	130	230	120	213	11	18	140	44.5	6	11	90.5-100.5	95	25	20	M10	M10	140	75	89	89	89	200	16
125	20	202	157	285	140	254	13	20	175	55	6	13	110-120	117	32	25	M12	M12	175	92	110	110	110	240	25

For cylinder to DIN ISO 6432 (piston diameter 12 to 25 mm)



Ø	AU	AZ	CC	DA	DC	E	EA	G	H	I	JA	K	MA	MF	RA	RG	RU	TA	TR	TF	TG	TU	TV	UF	US
12/16	7.5	58	46	30	62	27	65	4.5	8	3	39	4.6	8	10	5.5	M4	M4	32	54	24	15	22	25	63	8
20/25	9	13.5	58	34	80	32	79	5.5	10	3	55	6	10	12	6.5	M5	M6	40	68	38	20	23	32.5	76	12