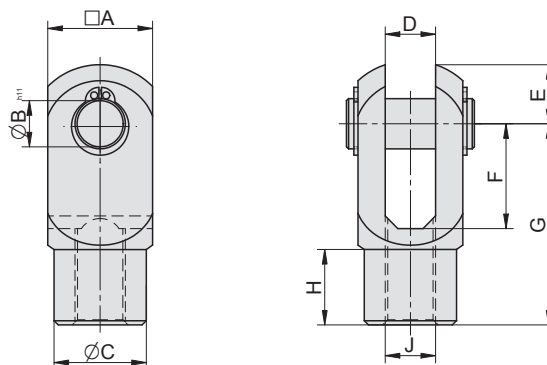


PISTON ROD CLEVIS

FOR ANTI-CORROSIVE - HYGIENIC CLEAN CYLINDERS

Supply contains (material):
 1 pc clevis (AISI 304)
 1 pc pivot pin (AISI 304)
 2 pcs retaining rings (A2)

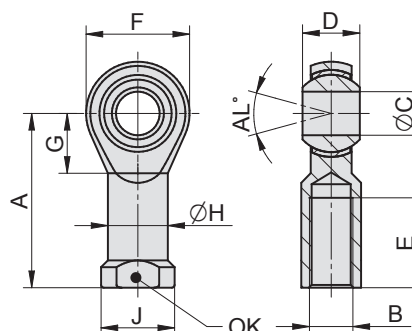


Piston \varnothing	A	B	C	D	E	F	G	H	J	Weight	Order codes
32	20	10	18	10	12	20	40	13	M10x1.25	0.09	2171 0100 0032 0000
40	24	12	22	12	14	24	48	13	M12x1.25	0.16	2171 0100 0040 0000
50 / 63	32	16	26	16	19	32	64	18	M16x1.5	0.31	2171 0100 0050 0000
80 / 100	40	20	32	20	25	40	80	22	M20x1.5	0.67	2171 0100 0080 0000

PISTON ROD EYE

FOR ANTI-CORROSIVE - HYGIENIC CLEAN CYLINDERS

Supply contains (material):
 1 pc eye
 (body: 1.4057, bearing
 ring: 1.4571 with PTFE
 foil, ball: 1.4401)

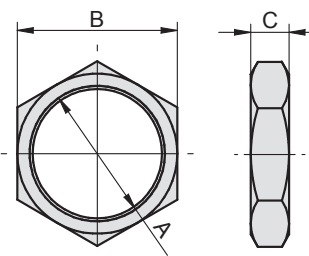


Piston \varnothing	A	B	C	D	E	F	G	H	J	OK	AL	Weight	Order codes
32	43	M10x1.25	10	14	20	28	15	15	19	17	10	0.076	2171 0200 0032 0000
40	50	M12x1.25	12	16	22	32	17	17.5	22	19	12	0.115	2171 0200 0040 0000
50 / 63	64	M16x1.5	16	21	28	42	22	22	27	22	14	0.230	2171 0200 0050 0000
80 / 100	77	M20x1.5	20	25	33	50	27	27.5	34	32	14	0.415	2171 0200 0080 0000

FRONT CAP NUT

FOR ANTI-CORROSIVE - HYGIENIC CLEAN CYLINDERS

Supply contains (material):
 1 pc nut (AISI 304)



Piston \varnothing	A	B	C	Weight	Order codes
32	M30x1.5	36	10	0.037	2171 2400 0032 0000
40	M35x1.5	46	10	0.043	2171 2400 0040 0000
50 / 63	M42x1.5	50	12	0.079	2171 2400 0050 0000
80 / 100	M50x2	65	12	0.167	2171 2400 0080 0000