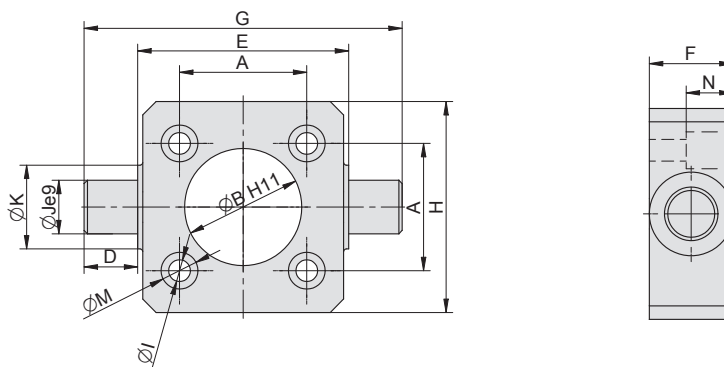


PIVOT PIN TO FRONT/END CAP FOR CYLINDER

- ISO 15552, VDMA 24562, NF E 49003.1
- DIN ISO 6431, VDMA 24562, NF E 49003.1
- COMPACT

Supply contains:
1 pc pivot pin
4 pcs screws

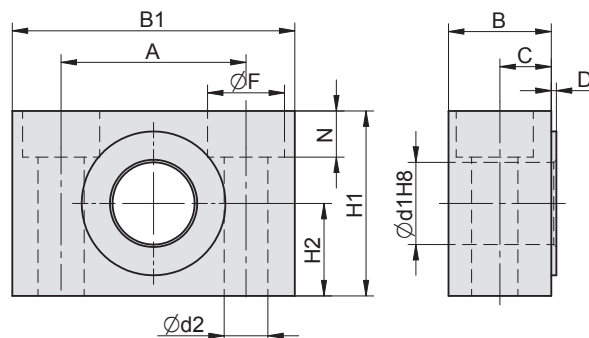


Piston Ø	A	B	D	E	F	G	H	I	J	K	M	N	Weight	Order codes
32	32.5	30	12	50	23	74	50	6.5	12	23	11	14	0.10	2101 4200 0032 0000
40	38	35	16	63	25	95	63	6.5	16	25	11	14	0.20	2101 4200 0040 0000
50	46.5	40	16	75	20	107	65	8.5	16	20	14	12	0.45	2101 4200 0050 0000
63	56.5	45	20	90	25	130	75	8.5	20	25	15	17	0.86	2101 4200 0063 0000
80	72	45	20	110	30	150	95	10.5	20	30	18	23	1.76	2101 4200 0080 0000
100	89	55	25	132	40	182	115	10.5	25	40	18	32	2.83	2101 4200 0100 0000

TRUNNION MOUNTING FOR CYLINDER

- ISO 15552, VDMA 24562, NF E 49003.1
- DIN ISO 6431, VDMA 24562, NF E 49003.1
- COMPACT

Supply contains:
1 pc trunnion

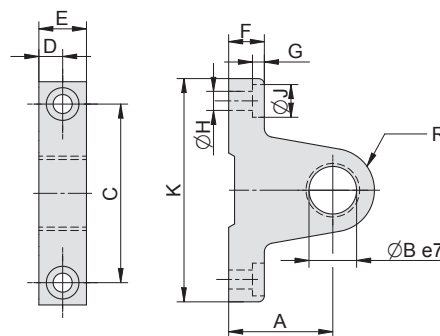


Piston Ø	A	B	B1	C	D	d1	d2	F	H1	H2	N	Weight	Order codes
32	32	17	46	9.5	1	12	6.5	11	30	15	10	0.04	2101 4000 0032 0000
40 / 50	36	20	55	11	1	16	8.5	15	36	18	9	0.08	2101 4000 0040 0000
63 / 80	42	21.5	65	11.5	1.5	20	11	18	40	20	11	0.10	2101 4000 0063 0000
100 / 125	50	27	75	14.5	1.5	25	14	20	50	25	13	0.22	2101 4000 0100 0000
160 / 200	60	38	92	20.5	2	32	18	26	60	30	17.5	0.40	2101 4000 0160 0000
250	90	54	140	23.5	4	40	22	34	70	35	21.5	1.08	2101 4000 0250 0000
320	100	63	150	28.5	4	50	26	40	80	40	26	1.35	2101 4000 0320 0000

TRUNNION MOUNTING FOR CYLINDER

- ISO 15552, VDMA 24562, NF E 49003.1
- DIN ISO 6431, VDMA 24562, NF E 49003.1
- COMPACT

Supply contains:
1 pc trunnion



Piston Ø	A	B	C	D	E	F	G	H	J	K	R	Weight	Order codes
32	22	12	40	6	12	8	4	5.3	10	55	12	0.20	2110 4000 0032 0000
40 / 50	35	16	60	8	16	12	4	6.4	11	75	14	0.22	2110 4000 0040 0000
63 / 80	38	20	71	10	20	14	7	8.5	14	90	23	0.40	2110 4000 0063 0000
100 / 125	50	25	90	15	30	20	12	13	20	120	25	0.86	2110 4000 0100 0000