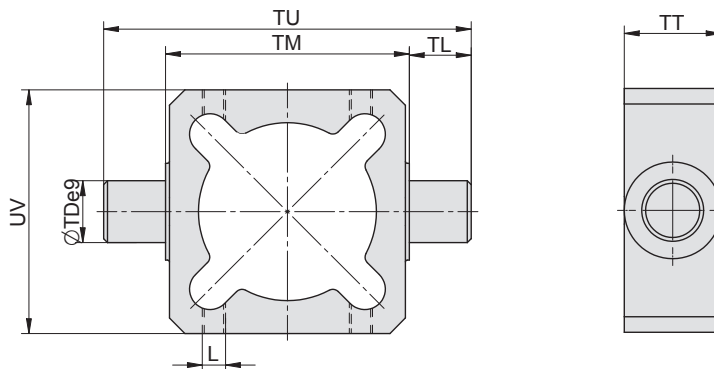


PIVOT PIN FOR CYLINDER

• DIN ISO 6431, VDMA 24562, NF E 49003.1

Supply contains:
1 pc pivot pin
8 pcs screws

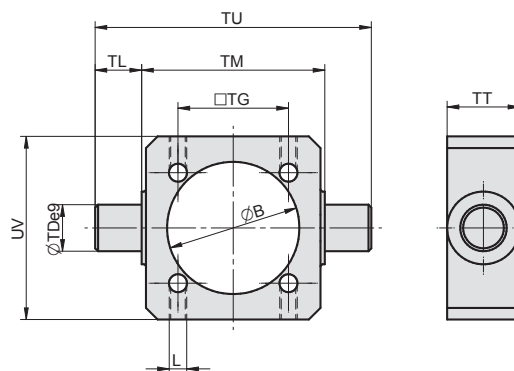


Piston \varnothing	L	TD	TL	TM	TT	TU	UV	Weight	Order codes
32	M5	12	12	50	25	74	63	0.12	2101 4100 0032 0000
40	M6	16	16	63	25	95	63	0.17	2101 4100 0040 0000
50	M6	16	16	75	28	107	85	0.70	2101 4100 0050 0000
63	M6	20	20	90	32	130	95	1.03	2101 4100 0063 0000
80	M6	20	20	110	32	150	120	1.46	2101 4100 0080 0000
100	M8	25	25	132	40	182	142	2.69	2101 4100 0100 0000

PIVOT PIN FOR CYLINDER

• DIN ISO 6431, VDMA 24562, NF E 49003.1
with round tube

Supply contains:
1 pc pivot pin
8 pcs screws



Piston \varnothing	L	TD	TL	TM	TT	TU	UV	TG	B	Weight	Order codes
32	M5	12	12	50	25	74	50	32.5	36.5	0.10	2101 4101 1032 0000
40	M6	16	16	63	25	95	63	38	45.5	0.16	2101 4101 1040 0000
50	M5	16	16	75	25	107	70	46.5	56	0.70	2101 4101 1050 0000
63	M6	20	20	90	25	130	84	56.5	69	0.80	2101 4101 1063 0000
80	M6	20	20	110	30	150	108	72	87	1.40	2101 4101 1080 0000
100	M8	25	25	132	40	182	130	85	106.5	2.60	2101 4101 1100 0000
125	M8	25	25	160	40	210	158	110	133	3.60	2101 4101 1125 0000
160	M8	32	32	200	40	264	196	140	172	5.40	2101 4101 1160 0000
200	M10	32	32	250	48	314	248	175	212	9.20	2101 4101 1200 0000
250	—	40	40	320	55	400	314	220	263.5	21.50	2101 4100 0250 0000
320	—	50	50	400	70	500	400	270	338	35.80	2101 4100 0320 0000