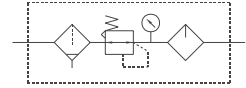


# COMPACT FRL AIR PREPARATION UNIT SERIES MACC



This compact unit is full-featured FRL unit which consist of filter, regulator and lubricator. Is effectively designed to reach good parameters at all-in-one design. This accessible unit will can be used everywhere, where is necessary to save the place.



Port thread	G1/4"	G3/8"
Primary pressure [MPa]	0,1 to 1,5	
Secondary pressure [MPa]	0,1 to 0,99	
Test pressure [MPa]	1,5	
Temperature range [°C]	-5 to +60	
Filter element [µm]	5	
Oil bowl capacity [l]	0,05	
Min. lubricator flow [Nl/min]	50	60
Weight [kg]	0,66	
Supply contain	gauge (PPG-40, R1/8"), bracket (elbow)	

## Order codes

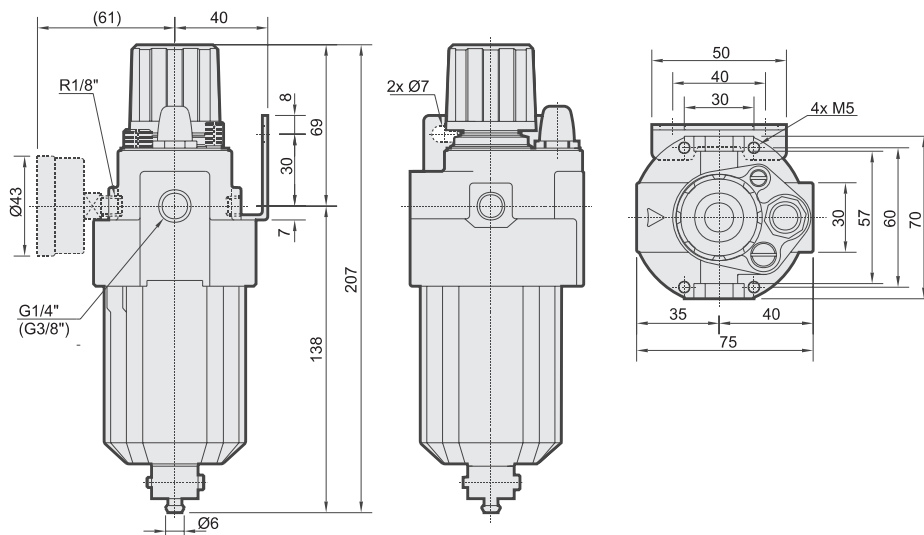
PMACC300-8A-BSP

Port size	
8A	G1/4"
10A	G3/8"



Semiautomatic condensation draining automatically drain when the primary pressure drop under 0,05 MPa.

## Dimensions



## Flow capacity

