

Motor type	Servo / Step	Transmission	Ball screw
Environment	Standard	Guide type	Slide guide

Specification

Model	MEQI					
Size	50			63		
Position repeatability (mm)	±0.02					
Lead *1 (mm)	5	10	20	5	10	20
Ball screw (ø)	C7ø16			C7ø20		
Stroke (mm)	100~600/50 pitch			100~800/50 pitch		
Anti-rotation tolerance (°)	±0.4					
No-load torque (N.m)	<0.2	<0.25	<0.3	<0.3	<0.35	<0.4
Sensor switch	RDFE (Refer to page 5-11)					

With AC servo motor (W)		400					
Max. speed *2 (mm/s)	250	500	1000	250	500	1000	
Rated thrust (N)	1560	780	390	1560	780	390	
Work load *3	Horizontal (kg)	110	88	40	110	88	40
	Vertical (kg)	33	22	10	33	22	10

With step motor		□56					
Max. speed *2 (mm/s)	125	250	500	125	250	500	
Rated thrust (N)	1120	560	280	1120	560	280	

*1. Other ball screw accuracy or lead is optional.

*2. Acceleration and deceleration value is set 0.2 second.

*3. An external guide is necessary to support the load.

The operating speed under work load is less than maximum speed.

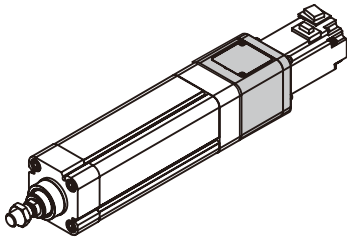
Order example

MEQI — 50 L05 — 200 — BC — M 40 B — A3 D — XA00

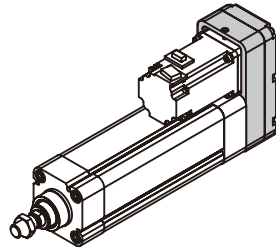
Model	Size	Ball screw lead		Stroke		Motor position		Limit sensor	Sensor type		Special order No.	
	50	L05	5 mm	100~600	50	BC	Exposed	—	No sensor	D	2-wire	
	63	L10	10 mm	100~800	63	BA	Turned	A1	1 pc	N	NPN	
		L20	20 mm					A2	2 pcs	P	PNP	
								A3	3 pcs			

Motor brand		Power output		Brakes	
M	Mitsubishi	40	400W servo	—	No brake
P	Panasonic			B	With brake
Y	Yaskawa				
D	Delta				
S	Mindman	56	□56 Step		

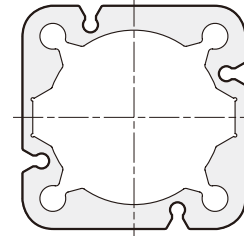
Motor position



BC



BA



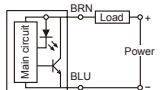
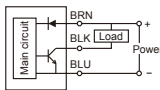
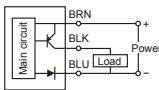
Unlimited installation on all sides due to symmetrical design.

Standard motors

Brand	Mark	Power output	Motor model (Without brake)	Motor model (With brake)	Motor rod (mm)	Motor mount P.C.D (mm)	Mounting port (mm)
Mitsubishi	M	400W	HG-KN43J	HG-KN43B J	ø14	ø70	4-ø5.8
Panasonic	P	400W	MHMF042L1U2M	MHMF042L1V2M			4-ø4.5
Yaskawa	Y	400W	SGM7J-04A7A21	SGM7J-04A7A2C			4-ø5.5
Delta	D	400W	ECMA-C20604PS	ECMA-C20604QS			4-ø5.5
Mindman	S	□56	-	-	ø6.35	□47.14	4-ø5

* If your inquiry is not included in above table, please kindly contact us.

Sensor specification

Model	RDFE	RNFE	RPFE
Wiring method	2 wire	3 wire	
Switching logic	Solid state output, Normally open		
Switch Type	Non-contact	NPN current sinking	PNP current sourcing
Operating voltage	5~30V DC	5~30V DC	5~30V DC
Switching current	50mA max.		
Contact rating *1	1.5W max.		
Current consumption	—	10mA @24V DC max.	
Voltage drop	3.5V max.	0.5V @ 50mA max.	
Leakage current	0.1mA(40uA) max.	0.01mA max.	
Indicator	Red LED		
Connect diagram			

*1. Warning: Never exceed rating (watt=voltage×amperage). Permanent damage to sensor will occur.

*2. Caution for safety please refer to page 10-3~4.

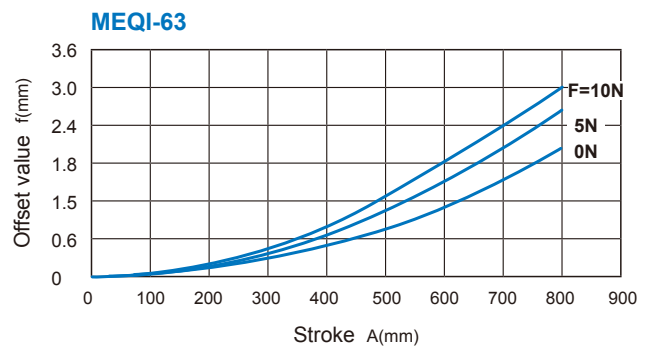
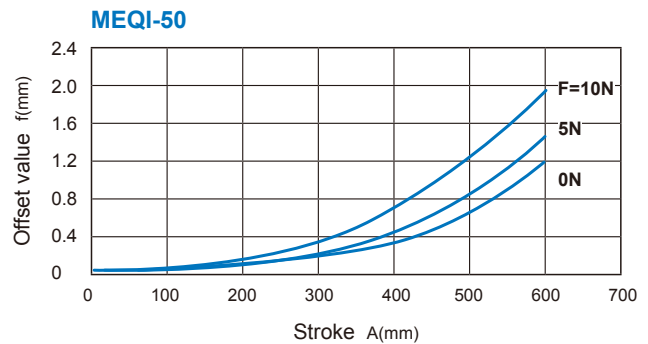
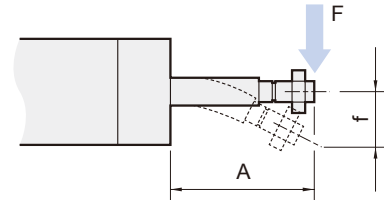
Mounting accessories

* Use the same accessories with MCQV.

FAC – MCQV – 50

Mounting type	Model	Size
	LB	50 63
	CA	
	CB	
	CDB (Extra purchase CB+Pin)	
	FAC	
	FBC	
	Y	
	I	
	YS (Y+Floating pin)	
	LC	
	TFA	
	TFB	
	TC	

Rod bending offset



Weight

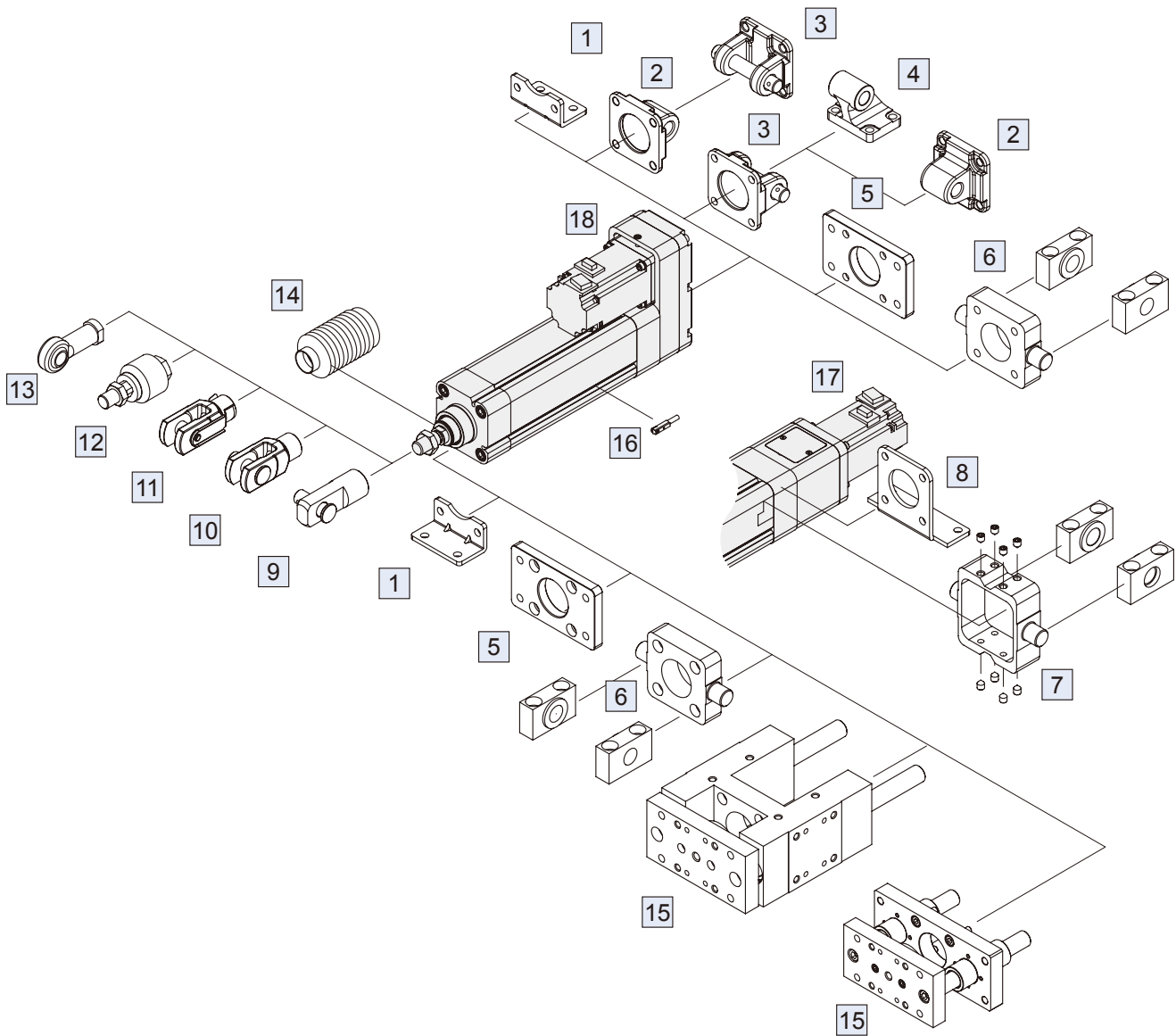
Unit: kg

Model	Basic weight MEQI	Stroke 100 mm MEQI
Size		
50	1.99	0.73
63	2.85	0.99

* This table is the basic weight of the motor Exposed version.

Model	LB	LC	CA	CB	CDB	FAC / FBC	TC	TFA / TFB
Size								
50	0.32	0.29	0.39	0.35	0.46	0.46	0.51	0.61
63	0.40	0.36	0.67	0.54	0.55	0.68	0.80	1.20

Model	Y	I	PIN		YS
			Y / I	CA / CB	
Size					
50	0.27	0.34	0.08	0.07	-
63	0.27	0.33	0.08	0.15	-

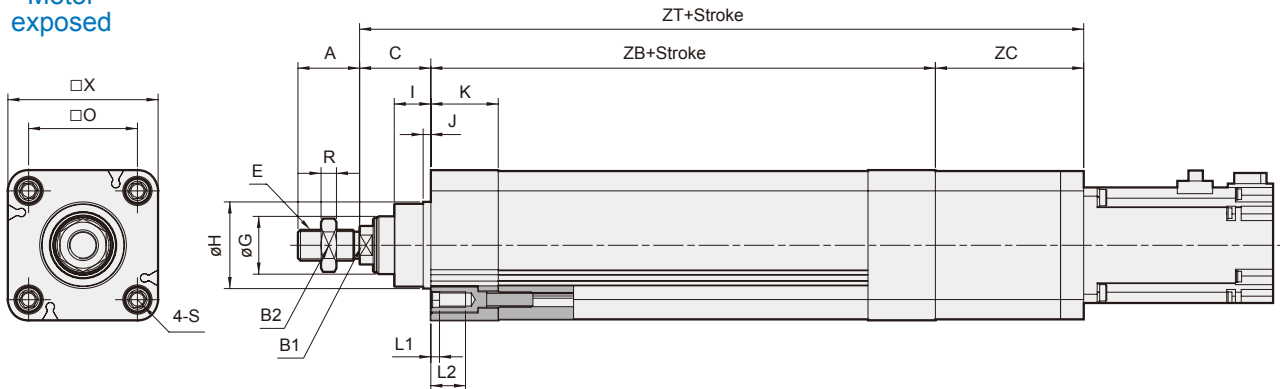


No.	Accessories	Page
1	Mounting accessories LB	4-91
2	Mounting accessories CA	4-93
3	Mounting accessories CB	4-93
4	Mounting accessories CDB	4-94
5	Mounting accessories FAC/FBC	4-92
6	Mounting accessories TFA/TFB	4-95
7	Mounting accessories TC	4-94
8	Mounting accessories LC	4-91
9	Accessories I+PIN	1-46 (Vol.2)
10	Accessories Y+PIN	1-46 (Vol.2)

No.	Accessories	Page
11	Accessories YS	1-46 (Vol.2)
12	Floating joint MFC	8-2 (Vol.2)
13	Female rod ends PHS	8-6 (Vol.2)
14	Protective bellows kit	—
15	MGTB/TU/TX Guide holder assembly	4-33 (Vol.2)
16	Sensor switch RDFE	5-11
17	Motor exposed kit BC	4-90
18	Motor turned kit BA	4-90

BC

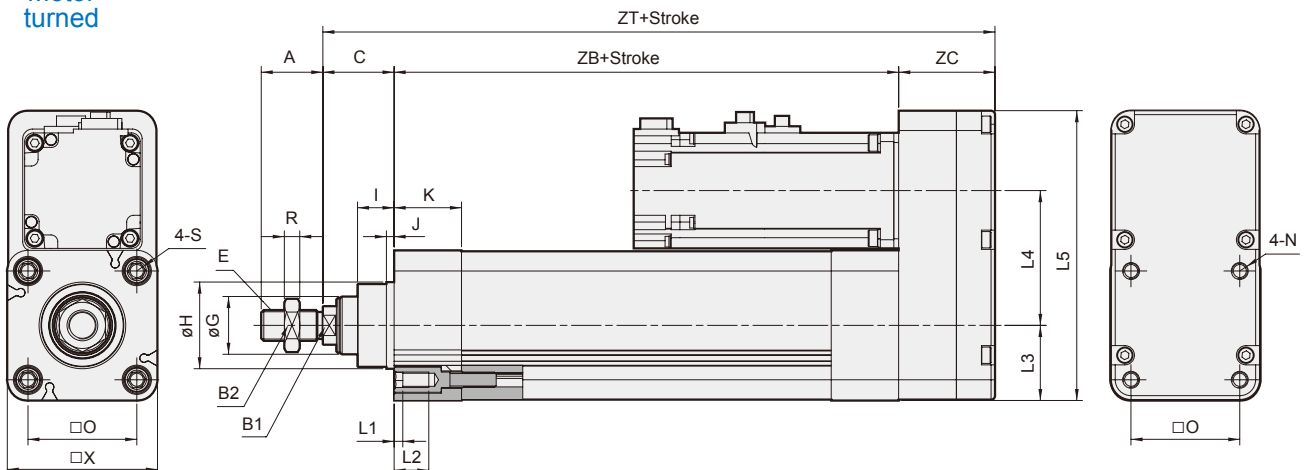
Motor exposed



Code Size	A	B1	B2	C	E	G	H	I	J	K	L1	L2	O	R	S	X	ZB	ZC		ZT	
																		servo	step	servo	step
50	32	17	24	37	M16×1.5	25	40	19	4	31	4.5	18	46.5	8	M8×1.25	65	152	67	48	256	237
63	32	17	24	37	M16×1.5	30	45	19	4	35	4.5	18	56.5	8	M8×1.25	78	162	77	55	276	254

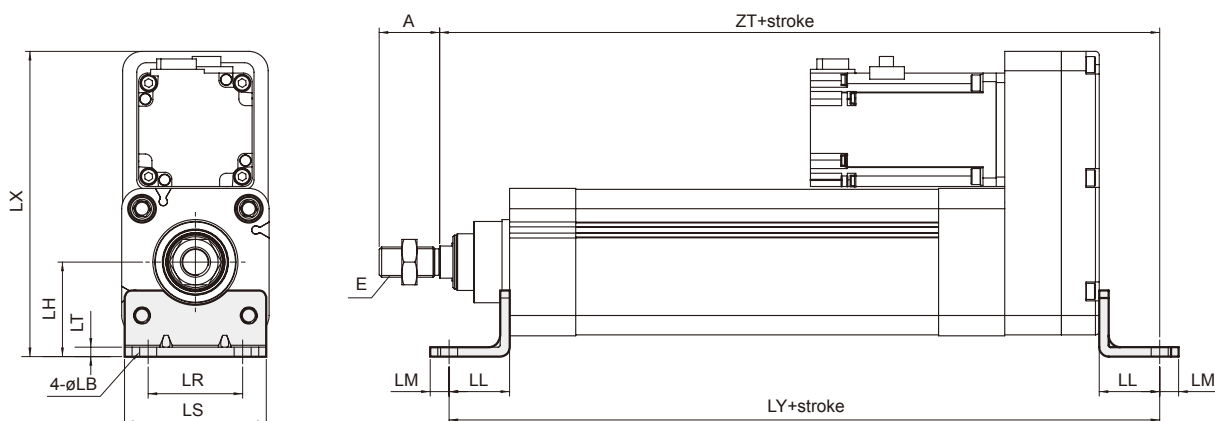
BA

Motor turned



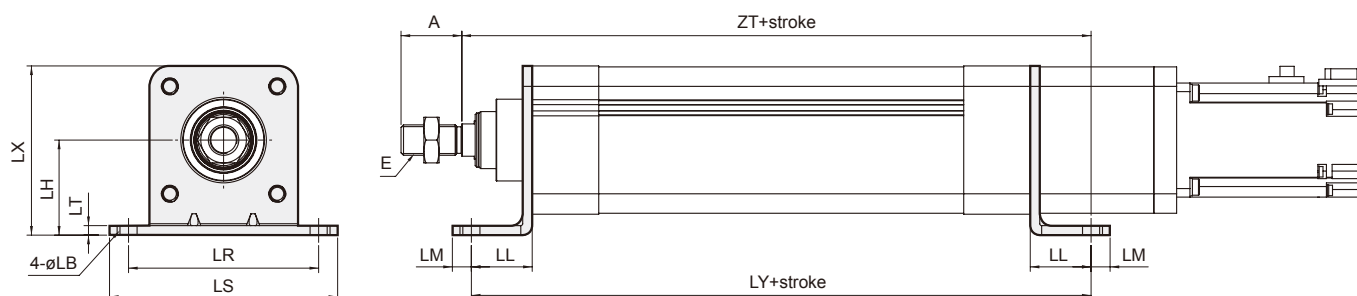
Code Size	A	B1	B2	C	E	G	H	I	J	K	L1	L2	L3	L4	L5	N	O	R	S	X	ZB	ZC	ZT
63	32	17	24	37	M16×1.5	30	45	19	4	35	4.5	18	39.0	70	150.5	M8×1.25×12L	56.5	8	M8×1.25	78	162	50	249

LB



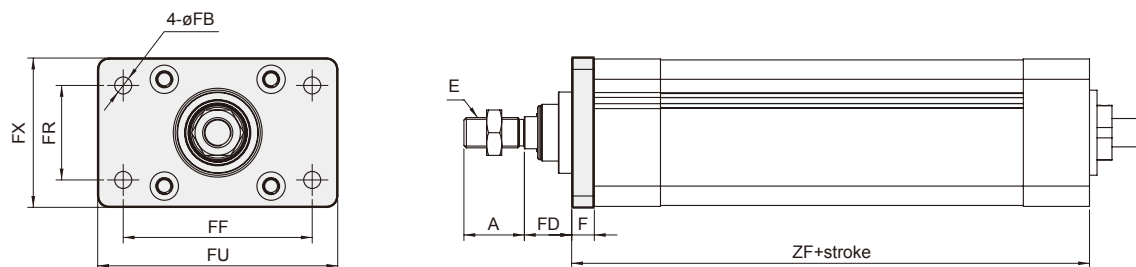
Code Size	A	E	LB	LH	LL	LM	LR	LS	LT	LX	LY	ZT
50	32	M16×1.5	9	45	32	10	45	65	5	163.0	266	271
63	32	M16×1.5	9	50	32	10	50	75	5	161.5	276	281

LC



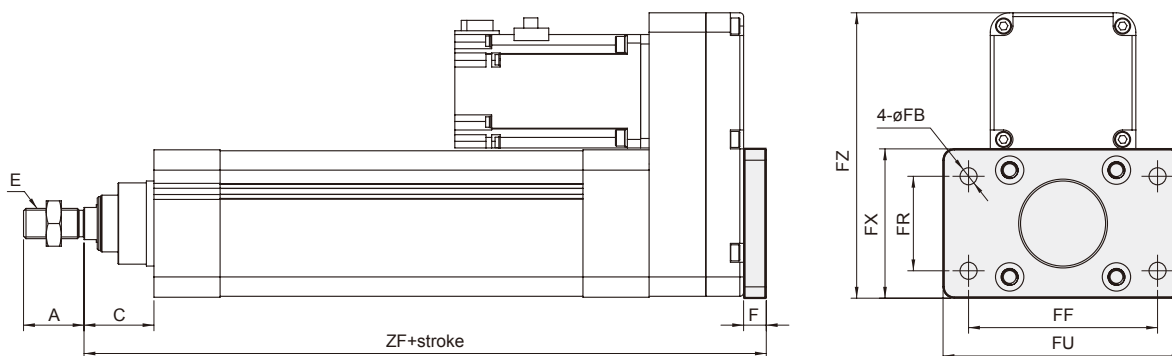
Code Size	A	E	LB	LH	LL	LM	LR	LS	LT	LX	LY	ZT
50	32	M16×1.5	9	45	32	10	90	110	5	77.5	216	221
63	32	M16×1.5	9	50	32	10	100	120	5	89.0	226	231

FAC



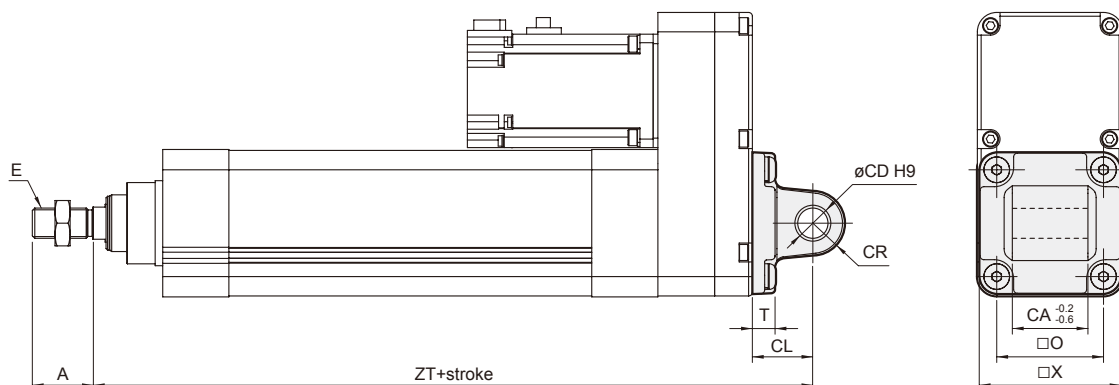
Code Size	A	E	F	FB	FD	FF	FR	FU	FX	ZF
50	32	M16×1.5	12	9	25	90	45	112	67	164
63	32	M16×1.5	12	9	25	100	50	127	79	174

FBC



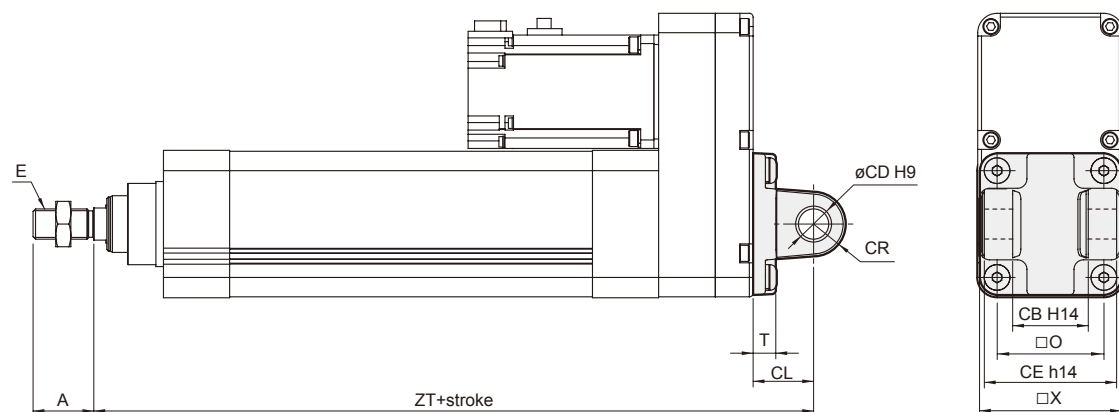
Code Size	A	C	E	F	FB	FF	FR	FU	FX	FZ	ZF
50	32	37	M16×1.5	12	9	90	45	112	67	151.5	251
63	32	37	M16×1.5	12	9	100	50	127	79	151.0	261

CA



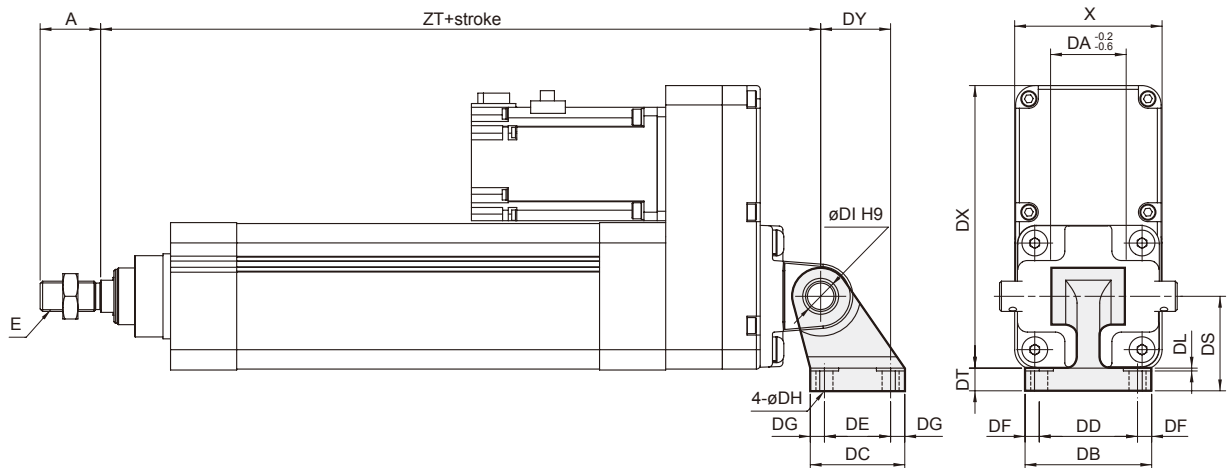
Code Size	A	CA	CD	CL	CR	E	O	T	X	ZT
50	32	32	12	27	R13	M16×1.5	46.5	12	64	266
63	32	40	16	32	R17	M16×1.5	56.5	12	75	281

CB



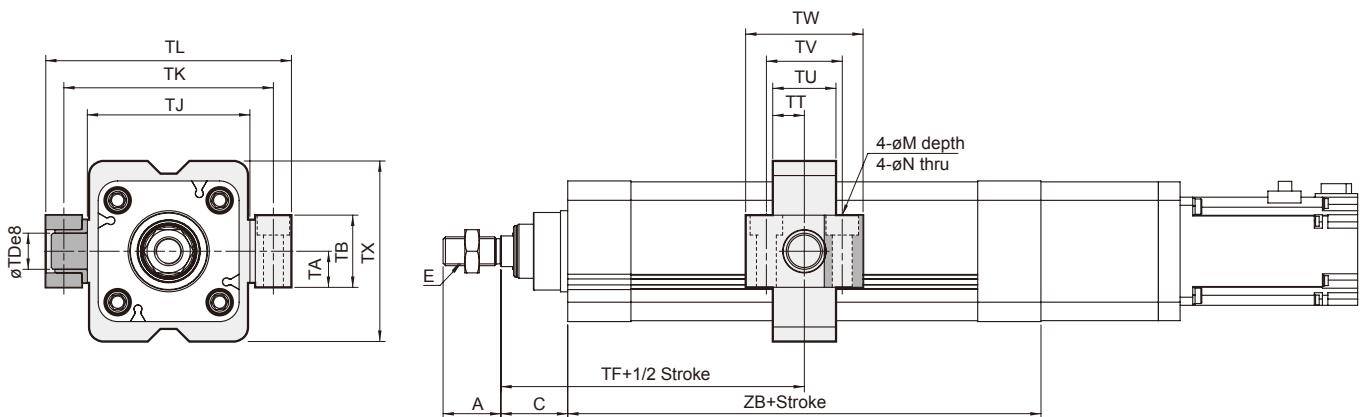
Code Size	A	CB	CD	CE	CL	CR	E	O	T	X	ZT
50	32	32	12	60	27	R13	M16×1.5	46.5	12	64	266
63	32	40	16	70	32	R17	M16×1.5	56.5	12	75	281

CDB



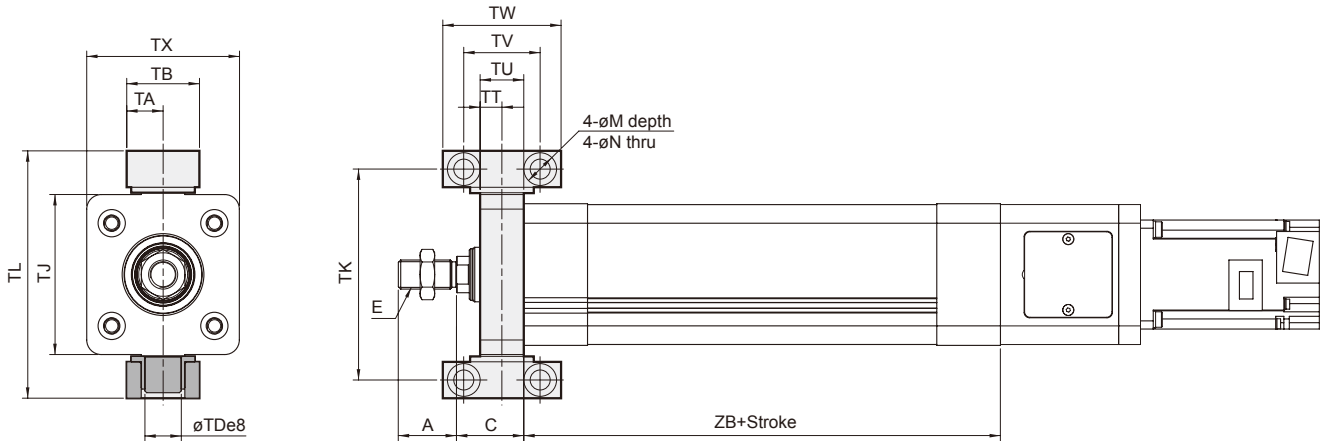
Code Size	A	DA	DB	DC	DD	DE	DF	DG	DH	DI	DL	DS	DT	DX	DY	E	X	ZT
50	32	32	65	45	50	30	7.5	7.5	9	12	1.5	45	12	151.0	33	M16×1.5	65	266
63	32	40	67	50	52	35	7.5	7.5	9	16	1.5	50	12	149.5	37	M16×1.5	78	281

TC



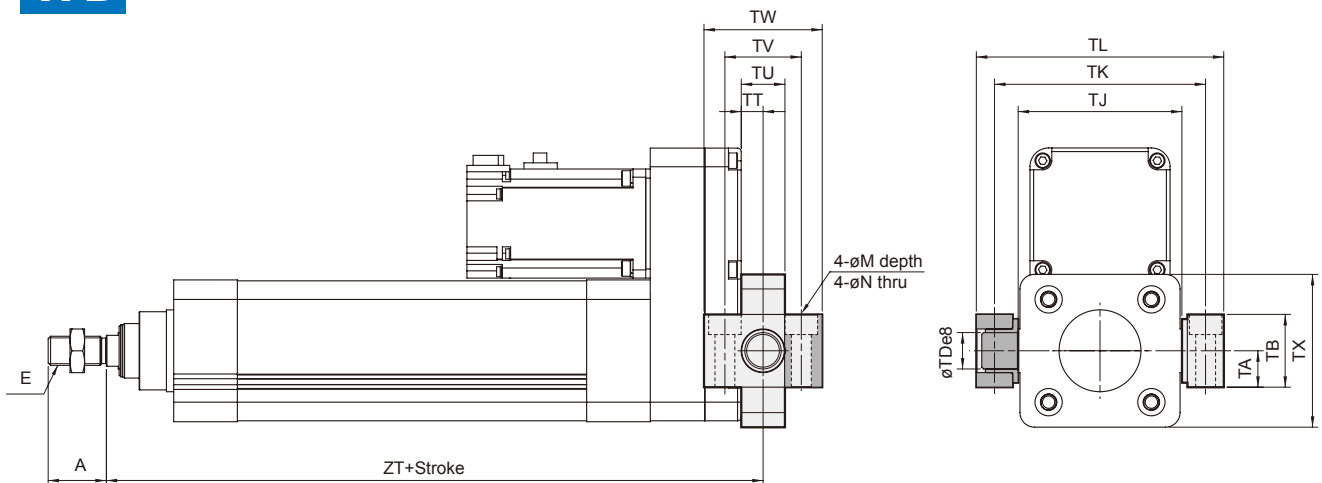
Code Size	A	C	E	M	N	TA	TB	TD	TF	TJ	TK	TL	TT	TU	TV	TW	TX	ZB
50	32	37	M16×1.5	15×9	9	18	36	16	113	75	99	117	16	32	36	55	85	152
63	32	37	M16×1.5	18×11	11	20	40	20	118	90	116	136	17.5	35	42	65	100	162

TFA



Code Size	A	C	E	M	N	TA	TB	TD	TJ	TK	TL	TT	TU	TV	TW	TX	ZB
50	32	37	M16×1.5	15×9	9	18	36	16	75	99	117	9.5	19	36	55	69	152
63	32	37	M16×1.5	18×11	11	20	40	20	90	116	136	12	24	42	65	84	162

TFB



Code Size	A	E	M	N	TA	TB	TD	TJ	TK	TL	TT	TU	TV	TW	TX	ZT
50	32	M16×1.5	15×9	9	18	36	16	75	99	117	9.5	19	36	55	69	248.5
63	32	M16×1.5	18×11	11	20	40	20	90	116	136	12	24	42	65	84	261.0